

 Strand

200F



The Strand 200F is a medium power LED TV fresnel, providing the light output equivalent to a 1000W tungsten fresnel, designed specifically for TV broadcast lighting. A very high TLCI rating provides an excellent quality of light, perfect for the camera.

The range includes two color temperatures, 3200K and 5600K in both manual and pole operated formats. Perfect for studio use.



200F

FEATURES & BENEFITS

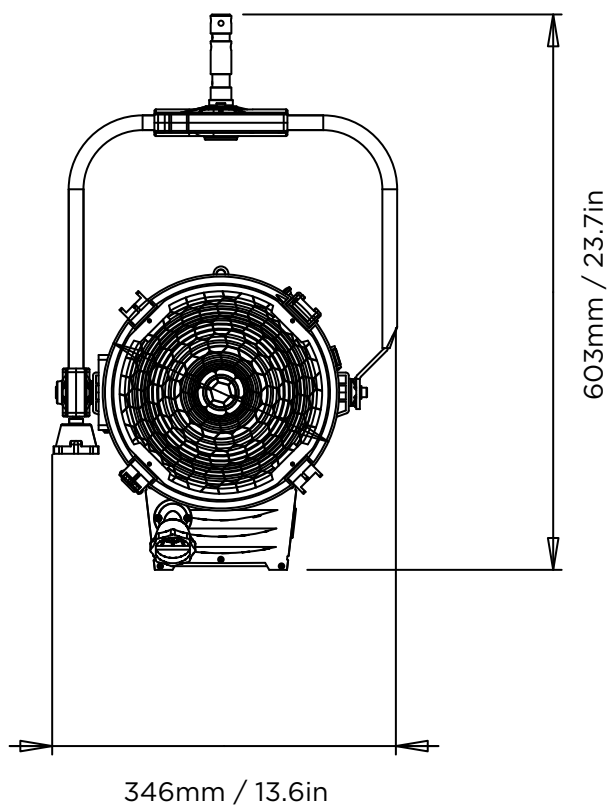
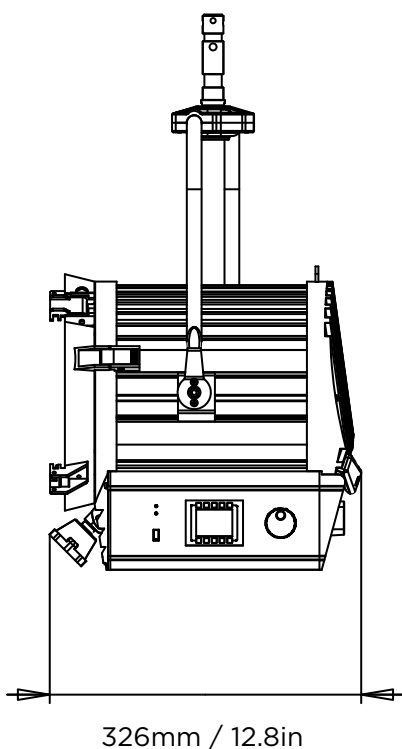
- High TLCl.
- Available as manual and pole operation.
- Shaft focus design, with manual knob at rear and angled pole operation cup at the front.
- 3 selectable fan modes for complete control - silent / brightness / on.
- Selectable LED or "tungsten" response.
- Built-in 3 tungsten dimmer curves for matching legacy lighting.
- Color LCD display.
- Easy "touch and turn" operation with 8 soft buttons and wheel.
- USB port for firmware upgrade and performance log file download.
- Local and DMX control.
- RDM setup.
- powerCON AC and 5 pin DMX in & thru connectors.
- Two year limited warranty.



200F

SOURCE		
Type	LED	
Wattage	180W (max)	
OPTICAL PERFORMANCE		
Color temperature	3200K 5600K	
TLCI	96 95	
BEAM		
Beam angle	12-60°	
CONTROL		
Dimming	Local DMX 8 or 16-bit	
POWER		
Operating voltage	90-240VAC (auto-ranging)	
Frequency	50/60Hz	
Current draw	0.82A (max)	
Power consumption	180W (max)	
ENVIRONMENT		
Ambient temperature	°C	°F
	0-37°	32-99°
Humidity	0-95% non-condensing	
COOLING		
Cooling	Fan	
PHYSICALS		
IP rating	IP20	
Finish	Black	
Construction	Aluminium extrusion and casting	
	mm	in
Lens size	Ø 175	Ø 6.89
Color filter size	Ø 227	Ø 8.94

DIMENSIONS		mm	in
H x W x D (max)	Manual operation	326 x 603 x 326	12.8 x 23.7 x 12.8
	Pole operation	346 x 603 x 326	13.6 x 23.7 x 12.8
WEIGHT		kg	lb
Weight	Manual operation	7.4	16.3
	Pole operation	7.9	17.4
WARRANTY & APPROBATION			
Warranty		2 years	





200F

200F	ORDER CODE
Strand 200F manual operation, 3200K	200FTVTUNGMO
Strand 200F manual operation, 5600K	200FTVDAYLTMO
Strand 200F pole operation, 3200K	200FTVTUNGPO
Strand 200F pole operation, 5600K	200FTVDAYLTPO

ACCESSORIES	ORDER CODE
Spare 4 leaf barndoor	200FTVBD

© 2018 Signify Holding. All rights reserved.

All trademarks are owned by Signify Holding or their respective owners. The information provided herein is subject to change, without notice. Signify does not give any representation or warranty as to the accuracy or completeness of the information included herein and shall not be liable for any action in reliance thereon. The information presented in this document is not intended as any commercial offer and does not form part of any quotation or contract, unless otherwise agreed by Signify. Data subject to change.

Ref: 200FTVTUNGMO-SpecSheet-01