

**PHILIPS**

# Strand Lighting

## Sixer Control Console



Six Channel Portable DMX512 Control Desk

**Philips Strand Lighting - Dallas**

10911 Petal Street  
Dallas, TX 75238  
Tel: 214-647-7880  
Fax: 214-647-8030

**Philips Strand Lighting - Auckland**

19-21 Kawana Street  
Northcote, Auckland 0627  
New Zealand  
Tel: +64 9 481 0100  
Fax: +64 9 481 0101

**Philips Strand Lighting - New York**

267 5th Ave, 4th Floor  
New York, NY 10016  
Tel: 212-213-8219  
Fax: 212-532-2593

**Philips Strand Lighting - Europe**

Marssteden 152  
Enschede 7547 TD  
The Netherlands  
Tel: +31 53 4500424  
Fax: +31 53 4500425

**Philips Strand Lighting - Asia Limited**

Room 6-10, 20/F Delta House 3 On Yiu Street  
Shatin, N.T. Hong Kong  
Tel: + 852 2757 3033  
Fax: + 852 2757 1767

**Website:**

[www.strandlighting.com](http://www.strandlighting.com)

The material in this manual is for information purposes only and is subject to change without notice. Philips Strand Lighting assumes no responsibility for any errors or omissions which may appear in this manual. For comments and suggestions regarding corrections and/or updates to this manual, please visit the Philips Strand Lighting web site at [www.seleconlight.com](http://www.seleconlight.com) or contact your nearest Philips Strand Lighting office.

El contenido de este manual es solamente para información y está sujeto a cambios sin previo aviso. Philips Strand Lighting no asume responsabilidad por errores o omisiones que puedan aparecer. Cualquier comentario, sugerencia o corrección con respecto a este manual, favor de dirigirlo a la oficina de Philips Strand Lighting más cercana.

Der Inhalt dieses Handbuches ist nur für Informationszwecke gedacht, Aenderungen sind vorbehalten. Philips Strand Lighting uebernimmt keine Verantwortung für Fehler oder Irrtuemer, die in diesem Handbuch auftreten. Für Bemerkungen und Verbesserungsvorschlaege oder Vorschlaege in Bezug auf Korrekturen und/oder Aktualisierungen in diesem Handbuch, moechten wir Sie bitten, Kontakt mit der naechsten Philips Strand Lighting-Niederlassung aufzunehmen.

Le matériel décrit dans ce manuel est pour information seulement et est sujet à changements sans préavis. La compagnie Philips Strand Lighting n'assume aucune responsabilité sur toute erreur ou ommission inscrite dans ce manuel. Pour tous commentaires ou suggestions concernant des corrections et/ou les mises à jour de ce manuel, veuillez s'il vous plait contacter le bureau de Philips Strand Lighting le plus proche.

---

**Note:** Information contained in this document may not be duplicated in full or in part by any person without prior written approval of Philips Strand Lighting. Its sole purpose is to provide the user with conceptual information on the equipment mentioned. The use of this document for all other purposes is specifically prohibited.

---

Document Number: **STR-75801**

Version as of: **10 November 2010**

Sixer Lighting Console Installation & User's Manual

©2010 Philips Group. All rights reserved.

# IMPORTANT INFORMATION

## Warnings and Notices

When using electrical equipment, basic safety precautions should always be followed including the following:



- a. **READ AND FOLLOW ALL SAFETY INSTRUCTIONS.**
- b. For indoor, dry locations use only. Do not use outdoors.
- c. Do not mount near gas or electric heaters.
- d. Equipment should be mounted in locations and at heights where it will not readily be subjected to tampering by unauthorized personnel.
- e. The use of accessory equipment not recommended by the manufacturer may cause an unsafe condition.
- f. Not for residential use. Do not use this equipment for other than intended use.
- g. Refer service to qualified personnel.

**SAVE THESE INSTRUCTIONS.**



**WARNING:** You must have access to a main circuit breaker or other power disconnect device before installing any wiring. Be sure that power is disconnected by removing fuses or turning the main circuit breaker off before installation. Installing the device with power on may expose you to dangerous voltages and damage the device. A qualified electrician must perform this installation.

**WARNING:** Refer to National Electrical Code® and local codes for cable specifications. Failure to use proper cable can result in damage to equipment or danger to personnel.

**WARNING:** This equipment is intended for installation in accordance with the National Electric Code® and local regulations. It is also intended for installation in indoor applications only. Before any electrical work is performed, disconnect power at the circuit breaker or remove the fuse to avoid shock or damage to the control. It is recommended that a qualified electrician perform this installation.

## Additional Resources for DMX512

For more information on installing DMX512 control systems, the following publication is available for purchase from the United States Institute for Theatre Technology (USITT), "Recommended Practice for DMX512: A Guide for Users and Installers, 2nd edition" (ISBN: 9780955703522). USITT Contact Information:

**USITT**  
**6443 Ridings Road**  
**Syracuse, NY 13206-1111 USA**  
**1-800-93USITT**  
**www.usitt.org**

## Philips Strand Lighting Limited Two-Year Warranty

Philips Strand Lighting offers a two-year limited warranty of its products against defects in materials or workmanship from the date of delivery. A copy of Philips Strand Lighting two-year limited warranty containing specific terms and conditions can be obtained from the Philips Strand Lighting web site at [www.strandlighting.com](http://www.strandlighting.com) or by contacting your local Philips Strand Lighting office.

# TABLE OF CONTENTS

---

<b>IMPORTANT INFORMATION</b>	
Warnings and Notices.....	1
Additional Resources for DMX512.....	1
Philips Strand Lighting Limited Two-Year Warranty.....	1
<b>TABLE OF CONTENTS</b>	
<b>PREFACE</b>	
About this Manual .....	3
Getting Started .....	3
Unpack the Console.....	3
<b>SIXER CONTROL CONSOLE OVERVIEW</b>	
Sixer Lighting Control Console Components .....	4
Controls .....	4
Connections .....	4
<b>INSTALLATION AND SET UP</b>	
Power Requirements.....	5
Connecting a DMX512 Network.....	5
Using The Sixer Control Console.....	5
<b>OPERATION</b>	
Overview.....	6
Control Functions .....	6
Cleaning and Care Instructions.....	6
Troubleshooting Guide .....	6
<b>TECHNICAL SPECIFICATIONS</b>	
Sixer Lighting Control Console Specifications .....	7

# PREFACE

---

## 1. About this Manual

The document provides installation and operation instructions for the following products:

- Sixer Lighting Control Console (catalog number 75801 for 230 / 240 volt operation)
- Sixer Lighting Control Console (catalog number 75802 for 120 volt operation)

Please read all instructions before installing or using this product. *Retain this manual for future reference.* Additional product information and descriptions may be downloaded at [www.strandlighting.com](http://www.strandlighting.com).

## 2. Getting Started

### Unpack the Console

Unpack the console from the packaging and check that the following components are contained within. If any parts are missing, or damaged, please contact the carrier and your nearest Philips Strand Lighting office.



### Sixer Console Components for 120V Markets (catalog number 75801):

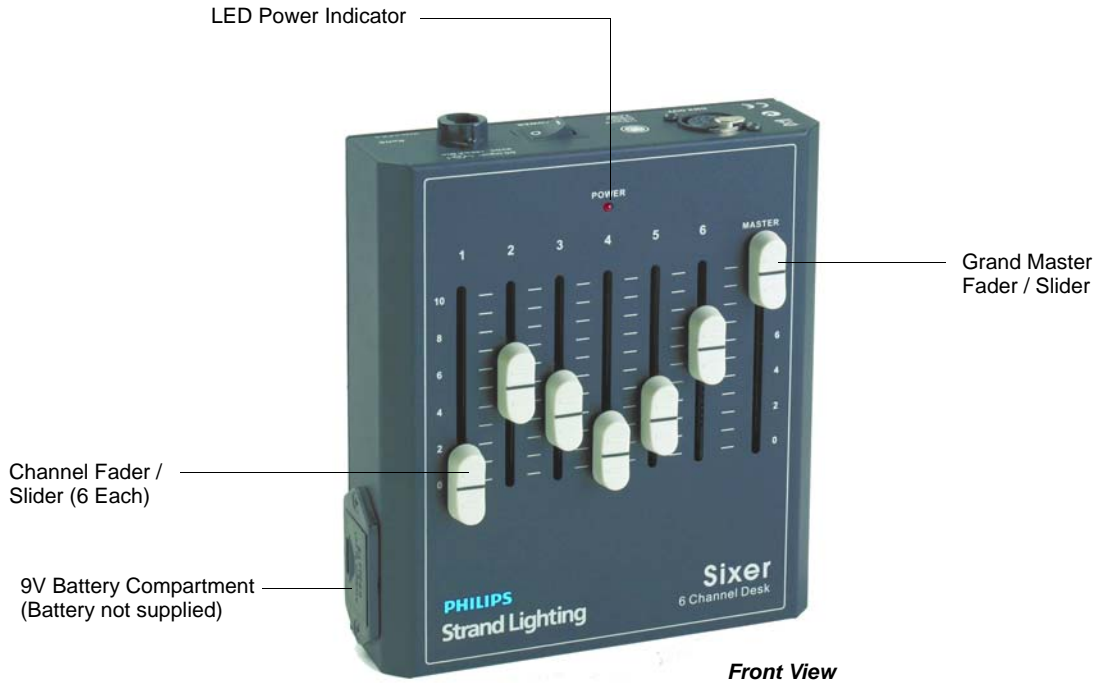
- Sixer Lighting Console
- AC to DC Power Supply with US 2 pin connector
- Installation & User's Manual (this document)

### Sixer Console Components for 230 / 240V Markets (catalog number 75802):

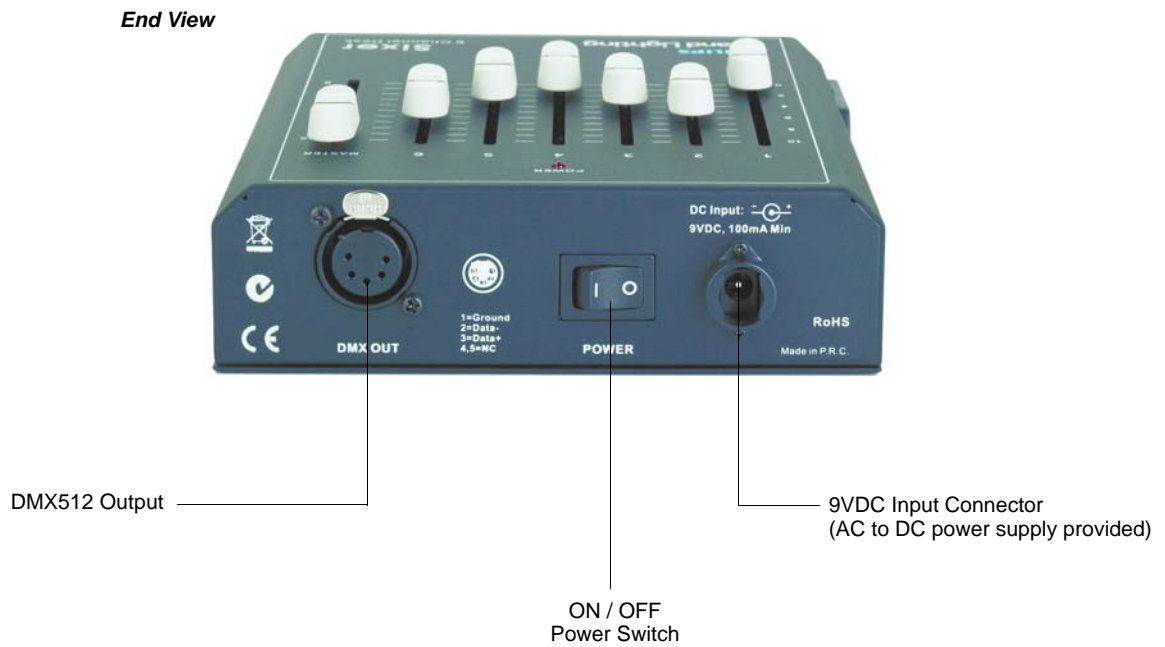
- Sixer Lighting Console
- AC to DC Power Supply with UK 3 pin connector and EU 2 pin connector
- Installation & User's Manual (this document)

# SIXER CONTROL CONSOLE OVERVIEW

## 1. Sixer Lighting Control Console Components Controls



## Connections



# INSTALLATION AND SET UP

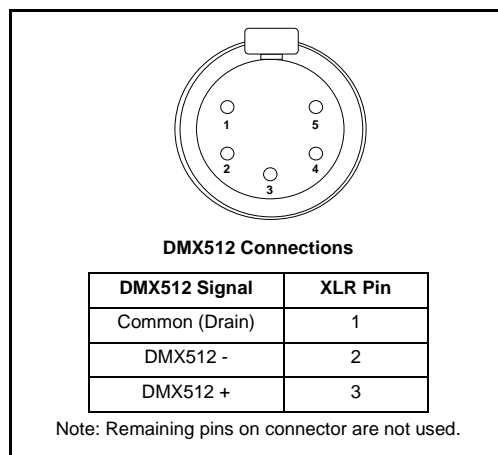
## 1. Power Requirements

The Sixer Lighting Control Console operates on 9 volts DC. It is powered via its supplied AC to DC power supply (for either 230/240 volt or 120 volt operation - depending on model). Also, the console can operate using a 9 volt battery (not supplied).

## 2. Connecting a DMX512 Network

Basic DMX512 installation consists of connecting a Sixer Lighting Control Console to DMX512 controlled devices in "daisy-chain" fashion. A cable runs from the Sixer Lighting Control Console to the DMX connector on the first device to be controlled.

**Note:** For more information on DMX512 networking and systems, refer to ["Additional Resources for DMX512"](#) on page 1. For Sixer Lighting Control Console DMX512 operation, refer to ["OPERATION"](#) on page 6.



**Note:** It is recommended that control cable from the Sixer Lighting Console not be connected or disconnected when power is applied to the controlled devices. Doing so may cause any connected loads to flash up momentarily.

## 3. Using The Sixer Control Console

Setup and using your Sixer Lighting Console is simple:

- 1) Connect provided power supply to AC supply source and to Sixer Lighting Console **OR** insert a 9 volt battery (not supplied).
- 2) Connect DMX512 cable to Sixer Lighting Console and to device or devices to be controlled.
- 3) At Sixer Lighting Console Power Switch, turn ON console.
- 4) On Sixer Lighting Console, raise Channel Faders as desired to select the intensity for each channel.
- 5) On Sixer Lighting Console, use Grand Master to proportionally fade all channels.

# OPERATION

## 1. Overview

The Sixer Lighting Control Console offers simple DMX512 control to DMX-controlled devices such as dimmers, effects units, fixtures, etc. This unit is not designed for complex shows or more than 6-channels of control.

## 2. Control Functions

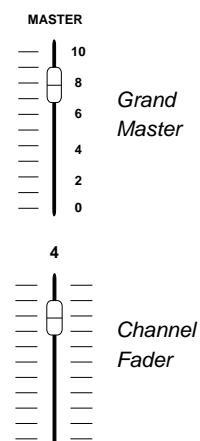
The Sixer Lighting Control Console has two simple-to-use controls. Refer to "[SIXER CONTROL CONSOLE OVERVIEW](#)" on page 4 for more information.

### Grand Master

An inhibitive fader that proportionately controls all other faders. This determines maximum output of all faders at all times. The Grand Master is always active.

### Channel Fader (6 Individual Channel Faders)

A fader that controls the output of the corresponding dimmer / channel number. To set a level raise the fader to the required level. To active the channel faders, raise or lower the Grand Master as desired.



## 3. Cleaning and Care Instructions



**WARNING!** All cleaning should be performed with power completely removed from the console. Never attempt to open unit. There are no user-serviceable parts. Under no circumstances should ammonia-based cleaners, acetone, or other harsh solvents be used on or near the Sixer Lighting Console or power supply. These types of cleaners or solvents can permanently damage the unit.

Being a solid-state device, the Sixer Lighting Console requires very little routine maintenance by the user.

Should the unit become dirty, unplug from power supply or remove battery, and clean unit using a lint-free cleaning cloth.

If you have any questions regarding the use or care of your Sixer Lighting Console, please contact Philips Strand Lighting technical support or your local Authorized Dealer.

## 4. Troubleshooting Guide

The chart below provides possible causes and remedies for various error messages and/or symptoms.



**WARNING!** Any service and maintenance (including troubleshooting), other than described herein should be performed by an Authorized Philips Strand Lighting Dealer or Service Center. The Sixer Lighting Console contains no user-serviceable parts.

Description	Symptom	Possible Cause/Remedy
No DMX output.	Console will not control devices	Make sure unit is powered by provided power supply or battery is installed. Grand Master is set at zero, raise Grand Master. Channel Fader is set at zero, raise Channel Fader. Dimmer or DMX-control device is not powered, make sure device is properly connected to power and device is ON. Make sure DMX512 cable is connected to console and controlled device (s).
No power at console.	Power LED Indicator is not ON.	Make sure power switch is ON. Make sure unit is powered by provided power supply or battery is installed. If using battery, make sure battery is new / fresh.



## TECHNICAL SPECIFICATIONS

### 1. Sixer Lighting Control Console Specifications

Supply Voltage:	9VDC (either AC to DC supply - provided with unit or 9V battery - not provided)
Current:	Less than 100 mA
Input Voltage:	<i>Provided Power Supply (depends on model):</i> 120V or 230 / 240V
Frequency:	50/60Hz
Output Signal:	DMX512 (1990)
Ambient Temperature:	0 to 35 degrees C (32 to 95 degrees F)
Humidity:	0%-90% Non condensing
Weight:	1.0 kg (2.2 lbs) - Console only
Dimensions:	Console: 148 mm (H) x 166 mm (W) x 42 mm (D) / 5.8 in (H) x 6.5 in (W) x 1.7 in (D)
Compliance:	<i>Provided Power Supply:</i> UL / cUL listed. <i>Console:</i> CE Marked

**Note:** For complete model specifications, features, etc., refer to the product specification sheet or visit the Philips Strand Lighting web site at [www.strandlighting.com](http://www.strandlighting.com) for more details.



**PHILIPS**

# Strand Lighting

Strand Lighting  
Dallas  
10911 Petal Street  
Dallas, TX 75238  
Tel: 214-647-7880  
Fax: 214-647-8031

Strand Lighting  
New York  
267 5th Ave, 4th Floor  
New York, NY 10016  
Tel: 212-213-8219  
Fax: 212-532-2593

Strand Lighting Asia Limited  
Room 6-10,  
20/F Delta House 3 On Yiu Street  
Shatin, N.T. Hong Kong  
Tel: + 852 2757 3033  
Fax: + 852 2757 1767

Strand Selecon  
Auckland  
19-21 Kawana Street  
Northcote, Auckland 0627  
New Zealand  
Tel: +64 9 481 0100  
Fax: +64 9 481 0101

Strand Lighting  
Europe  
Marssteden 152  
Enschede 7547 TD  
The Netherlands  
Tel: +31 53 4500424  
Fax: +31 53 4500425

[www.strandlighting.com](http://www.strandlighting.com)