



Selecon

STUDIO PANEL LED

INSTALLATION & USER MANUAL

The material in this manual is for information purposes only and is subject to change without notice. Strand assumes no responsibility for any errors or omissions which may appear in this manual. For comments and suggestions regarding corrections and/or updates to this manual, please visit the Strand web site at www.strandlighting.com or contact your nearest Strand office.

NOTE: Information contained in this document may not be duplicated in full or in part by any person without prior written approval of Strand. Its sole purpose is to provide the user with conceptual information on the equipment mentioned. The use of this document for all other purposes is specifically prohibited.

Document Number: 2-450336-010

Version as of: 3 January 2019

STUDIO PANEL Installation Guide and User Manual

©2019 Signify Holding. All rights reserved.

IMPORTANT INFORMATION

WARNINGS AND NOTICES

When using electrical equipment, basic safety precautions should always be followed including the following:



- a. READ AND FOLLOW ALL SAFETY INSTRUCTIONS.
- b. Do not use outdoors.
- c. Do not mount near gas or electric heaters.
- d. Equipment should be mounted in locations and at heights where it will not readily be subjected to tampering by unauthorized personnel.
- e. The use of accessory equipment not recommended by the manufacturer may cause an unsafe condition.
- f. Do not use this equipment for other than intended use.
- g. Refer service to qualified personnel.

SAVE THESE INSTRUCTIONS.



WARNING: You must have access to a main circuit breaker or other power disconnect device before installing any wiring. Be sure that power is disconnected by removing fuses or turning the main circuit breaker off before installation. Installing the device with power on may expose you to dangerous voltages and damage the device. A qualified electrician must perform this installation.

WARNING: Refer to National Electrical Code® and local codes for cable specifications. Failure to use proper cable can result in damage to equipment or danger to personnel.

WARNING: This equipment is intended for installation in accordance with the National Electric Code® and local regulations. It is also intended for installation in indoor applications only. Before any electrical work is performed, disconnect power at the circuit breaker or remove the fuse to avoid shock or damage to the control. It is recommended that a qualified electrician perform this installation.

ADDITIONAL RESOURCES FOR DMX512

For more information on installing DMX512 control systems, the following publication is available for purchase from the United States Institute for Theatre Technology (USITT), "Recommended Practice for DMX512: A Guide for Users and Installers, 2nd edition" (ISBN: 9780955703522). USITT Contact Information:

USITT
315 South Crouse Avenue, Suite 200
Syracuse, NY 13210-1844
Phone: 1.800.938.7488 or 1.315.463.6463
www.usitt.org

STRAND LIMITED THREE-YEAR WARRANTY

Strand offers a three-year limited warranty of its luminaires against defects in materials or workmanship from the date of delivery. A copy of Strand three-year limited warranty containing specific terms and conditions can be obtained from the Strand web site at www.seleconlight.com or by contacting your local Strand office.

TABLE OF CONTENTS

IMPORTANT INFORMATION	
Warnings and Notices.....	1
Additional Resources for DMX512.....	1
Selecon Limited Three-Year Warranty	1
TABLE OF CONTENTS	
PREFACE	
About this Manual	3
Included Items	3
Accessories	3
Studio Panel LED Luminaire Power Input Cables (for North America only).....	3
Studio Panel LED Luminaire Accessories.....	3
STUDIO PANEL LED LUMINAIRE OVERVIEW	
Studio Panel LED Luminaire Components	4
Major Luminaire Components	4
Luminaire Connections and Menu System	4
LCD Display / Menu System.....	5
INSTALLATION AND SET UP	
Power Requirements	6
AC Power Operation	6
DC Power Operation	6
Connecting Power	6
Connecting Studio Panel LED luminaires to AC Power.....	7
Connecting Studio Panel LED luminaires to DC Power.....	8
Connecting to the DMX512 Network	9
Mounting Luminaire	10
Handle / Mount Assembly Removal and Installation	10
Stud Adapter Installation.....	11
Barndoor Installation	11
OPERATION AND PROGRAMMING	
LCD Display and Menu System	12
LCD Display and Menu System Operation	12
Quick Selection Buttons	13
CCT (Correlated Color Temperature) Selection Button.....	13
Preset Selection Button.....	14
Dimmer Selection Button.....	14
DMX CONTROL	
16-Bit Mode	15
8-Bit Mode	15
RDM CONTROL	
Studio Panel LED Luminaire RDM Parameter IDs	16
CLEANING AND CARE	
Special Cleaning and Care Instructions	19
Front Lens Cleaning	19
Service and Maintenance	19
Accessories	20
TECHNICAL SPECIFICATIONS	
Studio Panel LED Luminaire Operational Specifications	21
Studio Panel LED Luminaire Dimensions	21

PREFACE

1. ABOUT THIS MANUAL

The document provides installation and operation instructions for the following products:

- STUDIO PANEL

Please read all instructions before installing or using this product. Retain this manual for future reference. Additional product information and descriptions may be downloaded at www.strandlighting.com.

2. INCLUDED ITEMS

Each STUDIO PANEL includes the following items:

- STUDIO PANEL
- Removable Handle / Mount Assembly
- Stud Mount Adapter (Male / Female)
- PC1BE - AC Power Input Cable (39 inches / 1 meter), Powercon with Bare End* (*Note, user supplies and installs own AC input connector)
- Installation and User's Manual (this document)

3. ACCESSORIES

Contact your Authorized Strand Dealer for price and availability of all accessories for STUDIO PANELS. Additional information can be found on the Strand web site at www.strandlighting.com.

STUDIO PANEL POWER INPUT CABLES (FOR NORTH AMERICA ONLY)

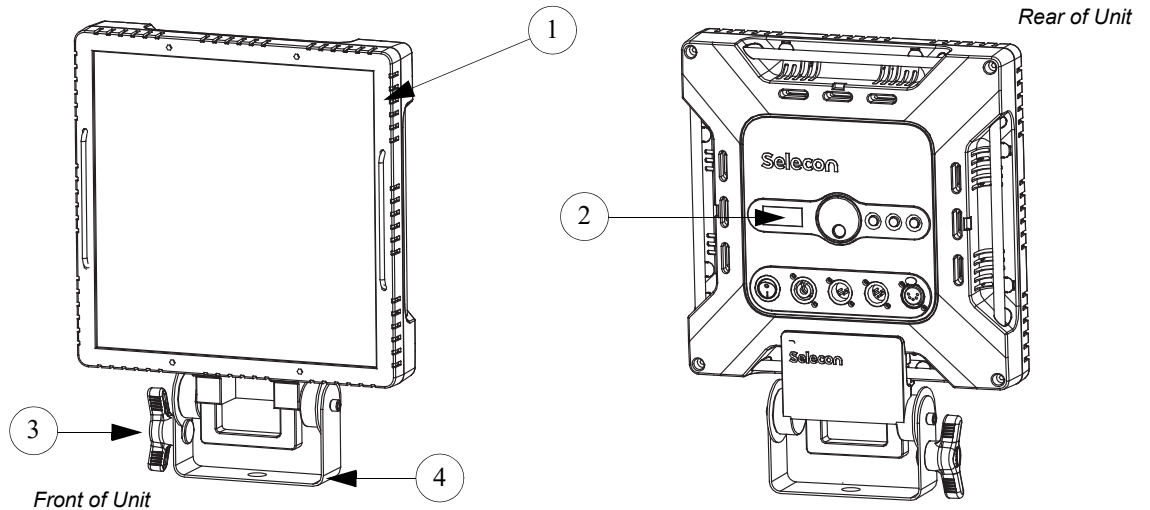
PART NUMBER	DESCRIPTION
PC1BE	STUDIO PANEL AC Power Input Cable (39 inches / 1 meter), Powercon with Bare End* (*Note, user supplies and installs own AC input connector)
PC1GP	STUDIO PANEL AC Power Input Cable (39 inches / 1 meter), Powercon with Stagepin Connector
PC1GTL	STUDIO PANEL AC Power Input Cable (39 inches / 1 meter), Powercon with Twistlock Connector
PC1GR	STUDIO PANEL AC Power Input Cable (39 inches / 1 meter), Powercon with Edison Connector
PC3BE	STUDIO PANEL AC Power Input Cable (9.8 Feet / 3 meter), Powercon with Bare End* (*Note, user supplies and installs own AC input connector)
PC8BE	STUDIO PANEL AC Power Input Cable (26 Feet / 8 meter), Powercon with Bare End* (*Note, user supplies and installs own AC input connector)
PC8GR	STUDIO PANEL AC Power Input Cable (26 Feet / 8 meter), Powercon with Edison Connector

STUDIO PANEL ACCESSORIES

PART NUMBER	DESCRIPTION
PLSTUPNLBD	2-Leaf Snap On Barndoor
PLSTUPNL SAF	Female 5/8-Inch Stud Adapter
PLSTUPNLSAM	Male 5/8-Inch Stud Adapter
MC	Mega Claw, Black, Anodized
SC	Molded Yoke C-Clamp
HC	Light Weight Half Coupler
82003	Safety Cable
PLSTUPNLL40	40-Degree Standard Spread Lens
PLSTUPNLL60	60-Degree Standard Spread Lens

STUDIO PANEL LED LUMINAIRE OVERVIEW

1. STUDIO PANEL COMPONENTS MAJOR LUMINAIRE COMPONENTS



- 1) Studio Panel LED Luminaire Head
- 2) LCD Display Menu System (see ["LCD Display / Menu System"](#) on page 6 for more information)
- 3) Tilt Axis Point / Locking Handle
- 4) Handle / Mount Assembly (note, this assembly is removable and can be installed on all four

FIGURE 1: STUDIO PANEL COMPONENTS

LUMINAIRE CONNECTIONS AND MENU SYSTEM

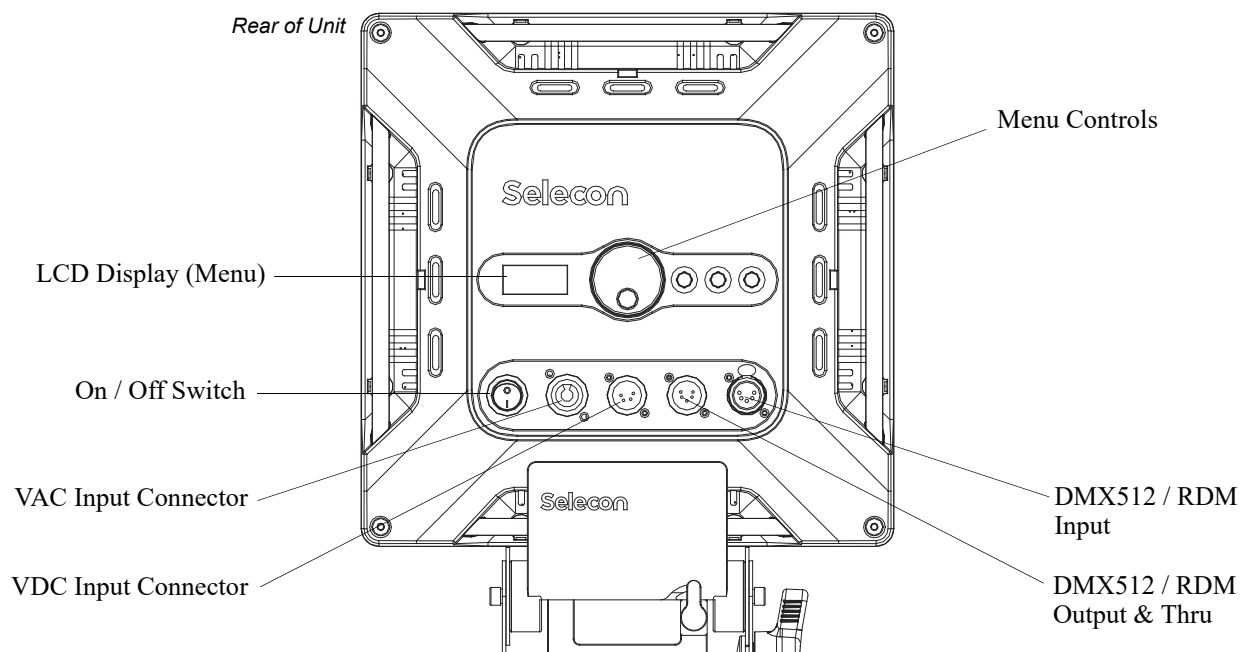


FIGURE 2: STUDIO PANEL - REAR VIEW

LCD DISPLAY / MENU SYSTEM

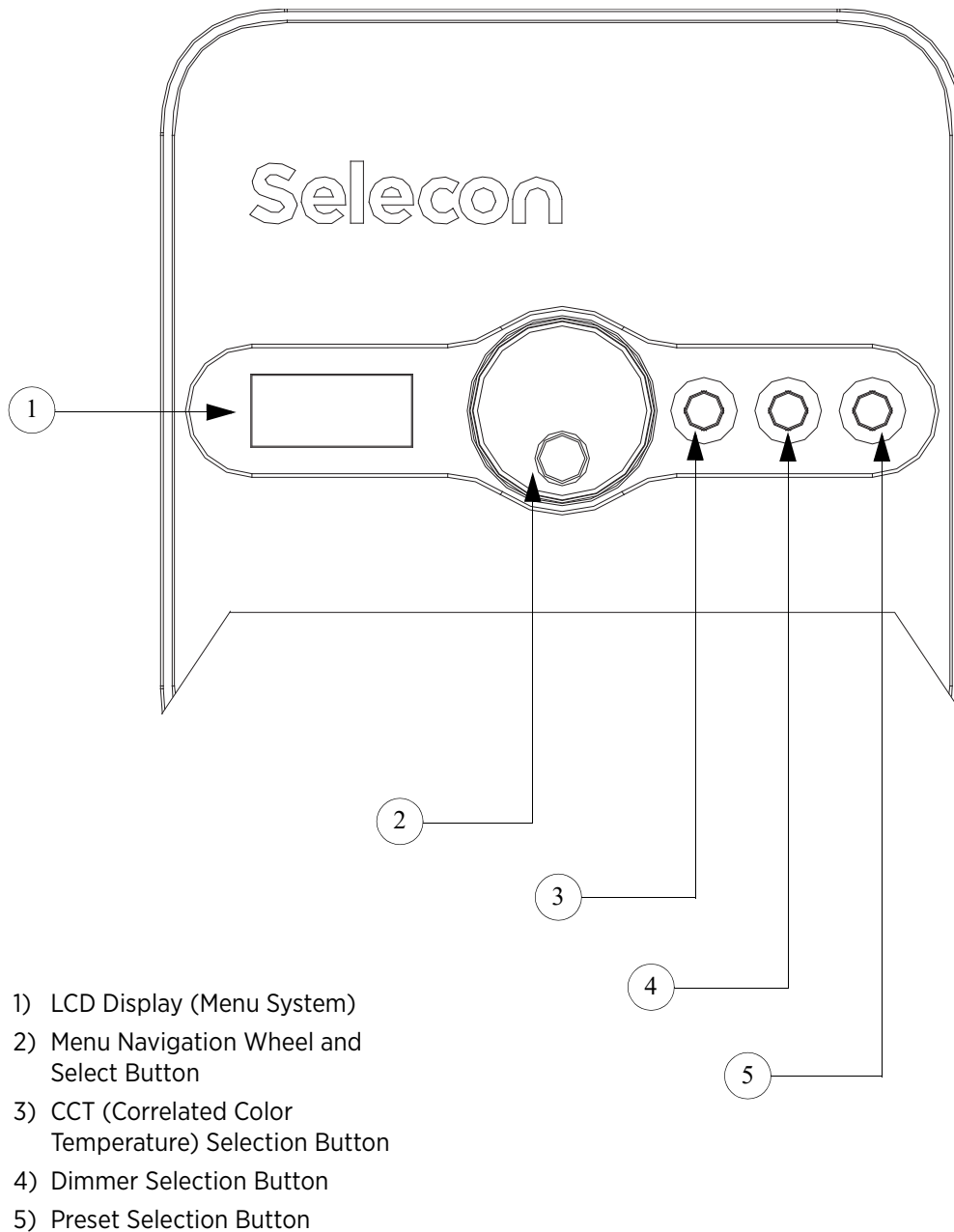


FIGURE 3: LCD DISPLAY AND MENU SYSTEM

NOTE: For Menu operation and programming details, refer to "[LCD Display and Menu System](#)" on page 13.

INSTALLATION AND SET UP

1. POWER REQUIREMENTS

The STUDIO PANEL operates on either AC or DC voltage. The luminaire contains an on-board ON / OFF switch.



WARNING! Turning off the unit at power switch does not disconnect power from unit. Always disconnect power input cables to completely remove power from unit when not in use.

AC POWER OPERATION

When connected to an AC source, the unit operates on 100 to 240 volts AC (+/- 10%, auto-ranging). The luminaire contains an auto-ranging power supply. Each luminaire can draw up to 50 Watts.

TABLE 1: STUDIO PANEL VOLTAGE (VAC) VS. CURRENT

VOLTAGE (AC)	TOTAL CURRENT (A)	VOLTAGE (AC)	TOTAL CURRENT (A)
100	0.50	180	0.28
110	0.45	190	0.26
120	0.42	200	0.25
130	0.38	210	0.24
140	0.36	220	0.23
150	0.33	230	0.22
160	0.31	240	0.21
170	0.29		

NOTE: For wiring of AC input connector, refer to ["Connecting STUDIO PANELs to AC Power" on page 7.](#)

DC POWER OPERATION

When connected to a DC power source, the unit operates on 12 to 24 volts DC at 50 Watts (max.).

TABLE 2: STUDIO PANEL VOLTAGE (VDC) / WATTAGE

VOLTAGE (DC)	WATTAGE
12 - 24 VDC	50 Watts (max.)

NOTE: For wiring of DC input connector, refer to ["Connecting STUDIO PANELs to DC Power" on page 8.](#)

2. CONNECTING POWER

Units can be powered in one of two ways:

- Direct connection to an AC power source using an AC input cable. AC input cable accessories are described in ["STUDIO PANEL Power Input Cables \(for North America only\)" on page 4.](#) For wiring of AC input connector, refer to ["Connecting STUDIO PANELs to AC Power" on page 7.](#)
- Direct connection to a DC power source through the unit's DC input power connection. For wiring of DC input connector, refer to ["Connecting STUDIO PANELs to DC Power" on page 8.](#)

CONNECTING STUDIO PANELS TO AC POWER

If the unit is supplied with an AC input cable but you did not order an AC input connector, Table 3 describes how to connect power to your STUDIO PANEL. Field wiring of the STUDIO PANEL is straight forward. A total of 3 wires/conductors need to be brought to the unit. The following wiring scheme is required:

TABLE 3: STUDIO PANEL AC INPUT CONNECTIONS

WIRE COLOR	PURPOSE
Brown	Main / Line (100 to 240VAC)
Blue	Neutral
Green/Yellow	Ground (Earth)

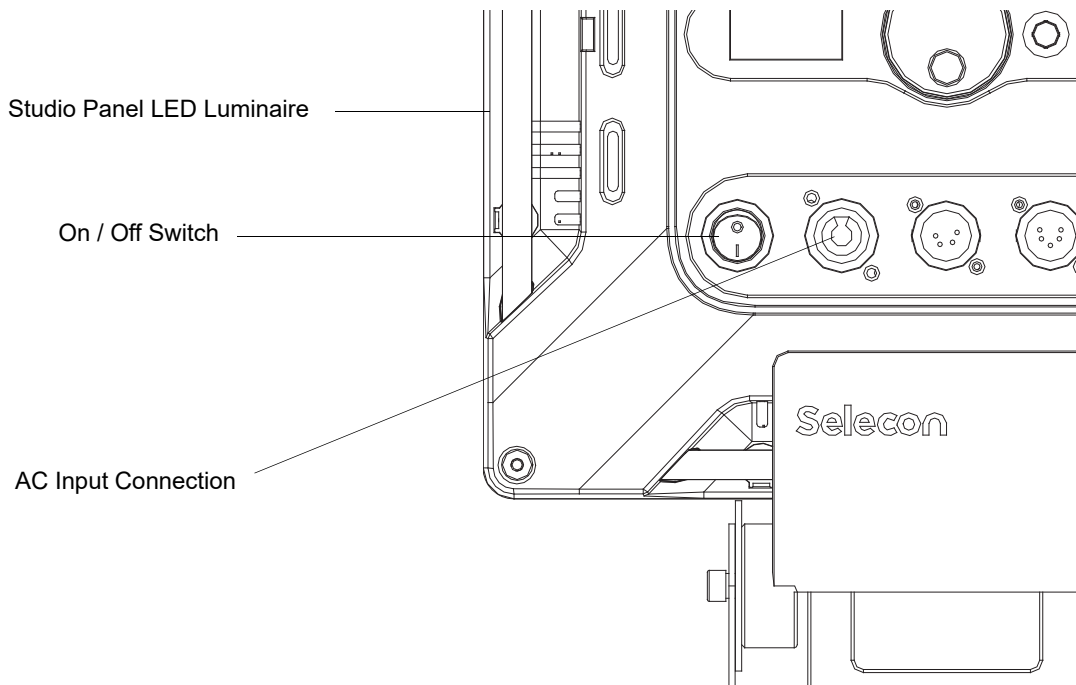
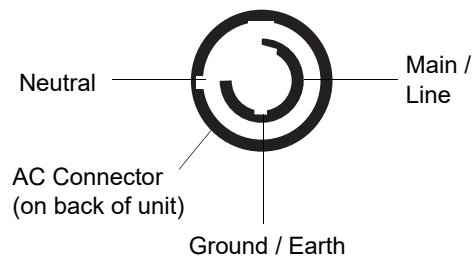


FIGURE 4: STUDIO PANEL AC INPUT CONNECTION

CAUTION: In the event the AC input cable of this luminaire is damaged, it must be replaced, by the user, with an approved cable by Strand through an Authorized Dealer or Service Center. Replacement AC input cables are listed in ["Accessories" on page 4](#).

CONNECTING STUDIO PANELS TO DC POWER

The STUDIO PANEL can be connected to a DC Voltage power source (i.e., AC to DC converter or battery). [Table 4](#) describes how to connect power to your STUDIO PANEL to a VDC power source.

Field wiring of the STUDIO PANEL is straight forward. A total of 2 wires/conductors need to be brought to the unit through a 4-pin connector. The following wiring scheme is required:

TABLE 4: STUDIO PANEL AC INPUT CONNECTIONS

PIN NUMBER	PURPOSE
1	V -
2	Not Used
3	Not Used
4	V +

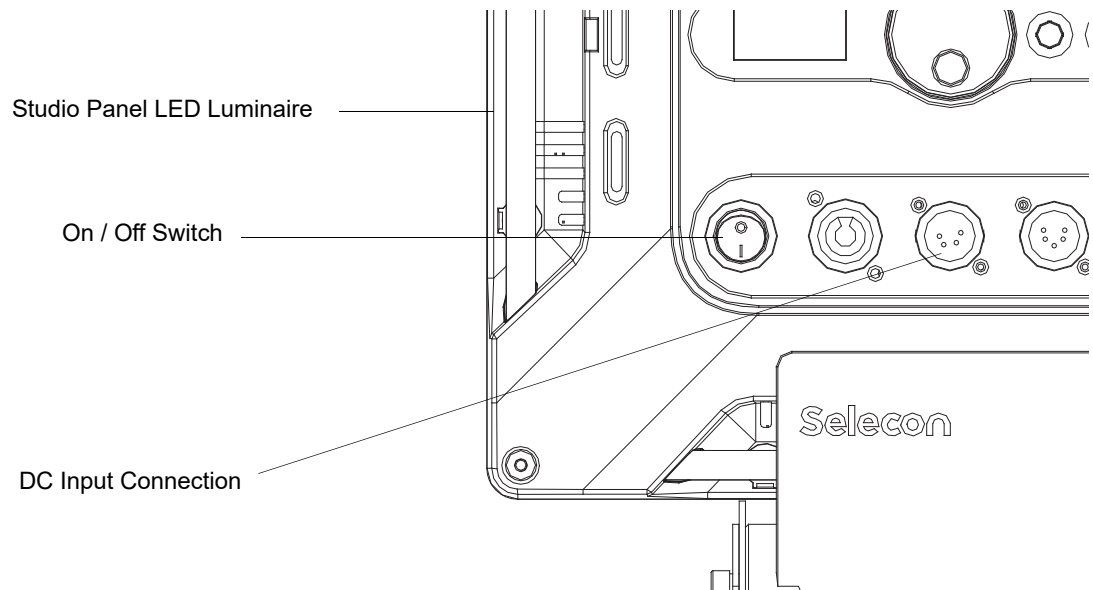
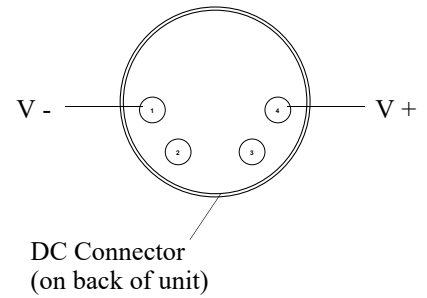


FIGURE 5: STUDIO PANEL DC INPUT CONNECTION

3. CONNECTING TO THE DMX512 NETWORK

Basic DMX512 installation consists of connecting multiple STUDIO PANELs together (up to 32 luminaires) in "daisy-chain" fashion. A cable runs from the control console (or DMX512 control source) to the DMX connector on the first STUDIO PANEL. Another cable runs from the other DMX connector on the first unit to a DMX connector on the next STUDIO PANEL (or DMX512 device to be controlled).

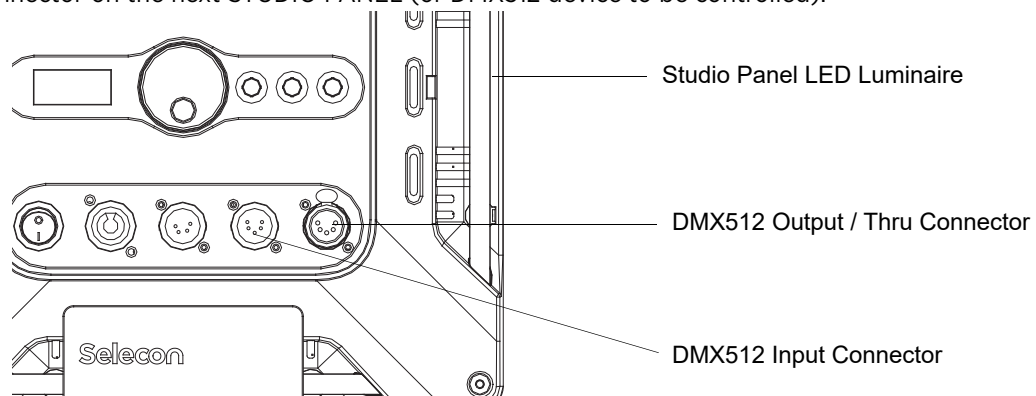
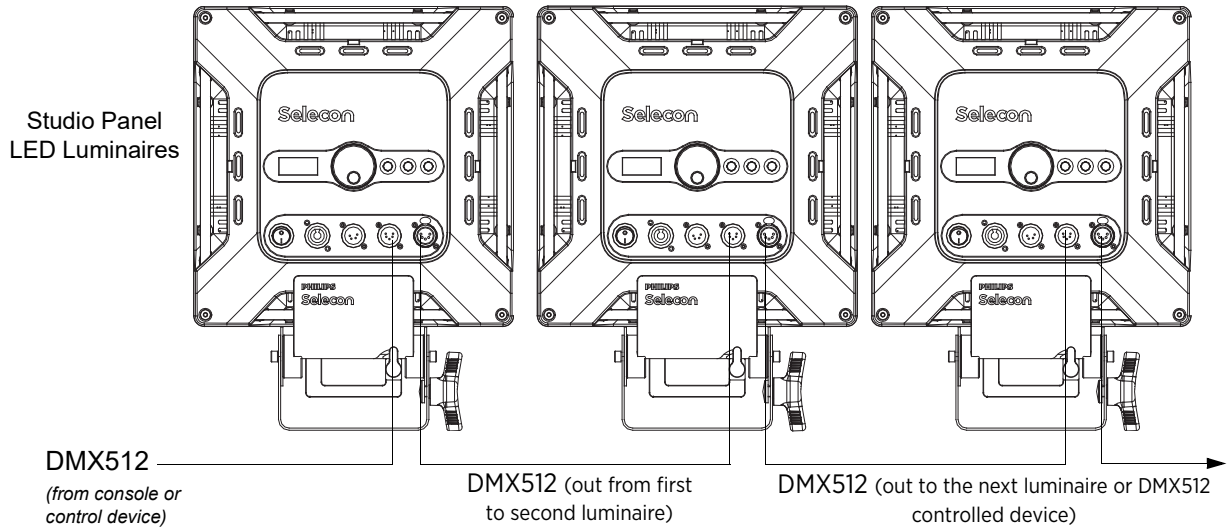


FIGURE 6: STUDIO PANEL DMX512 INPUT / OUTPUT CONNECTIONS

NOTE: For more information on DMX512 networking and systems, refer to ["Additional Resources for DMX512"](#) on page 2. For STUDIO PANEL DMX Mapping, refer to ["DMX CONTROL"](#) on page 16.



DMX512 Connections	
DMX512 SIGNAL	XLR PIN
COMMON (DRAIN)	1
DMX512 -	2
DMX512 +	3

Note: Remaining pins on each connector are not used.

FIGURE 7: STUDIO PANEL - DMX512 CONNECTIONS

4. MOUNTING LUMINAIRE

The STUDIO PANEL is provided with a Handle / Mount Assembly. This assembly easily attaches and detaches from the luminaire via a quick-release handle. This Handle / Mount Assembly is designed to accept a variety of mounting hooks, clamps, etc. for hanging applications or stud adapters for stand mounting.

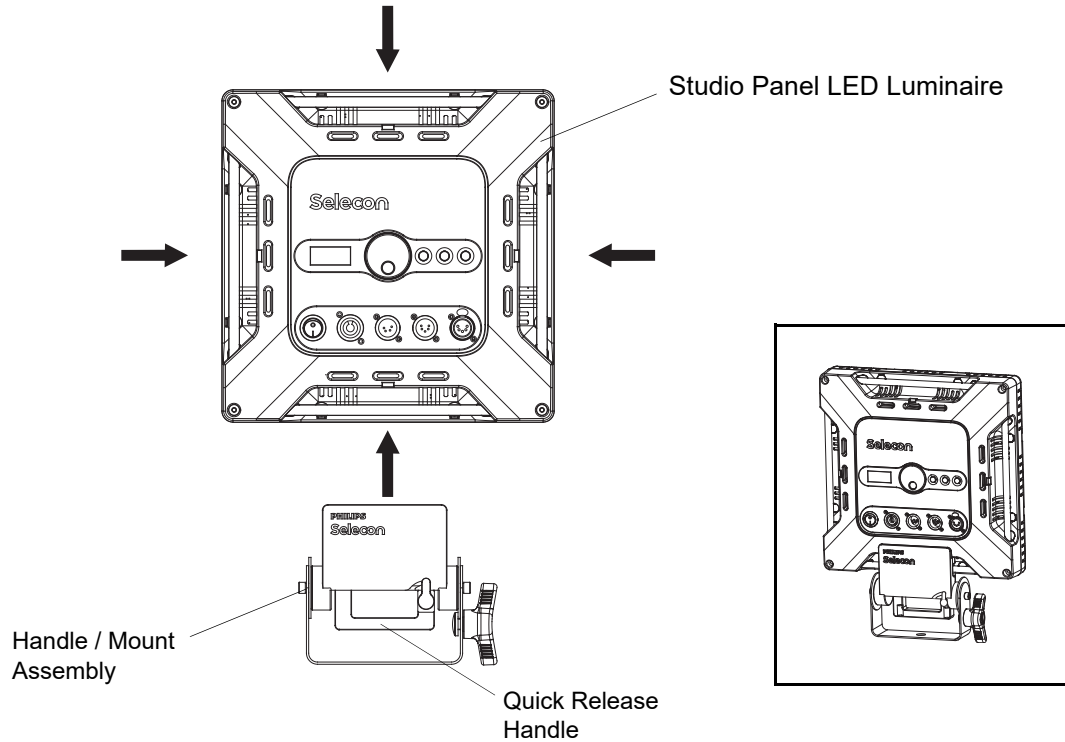


FIGURE 8: HANDLE / MOUNT ASSEMBLY

HANDLE / MOUNT ASSEMBLY REMOVAL AND INSTALLATION

To release the Handle / Mount Assembly, rotate the handle locking mechanism (as shown in Figure 9), grasp the Quick Release Handle and pull down and away from luminaire. The locking mechanism prevents the Handle / Mount Assembly from inadvertently separating from the luminaire assembly.

The Handle / Mount Assembly may be attached to any side of the STUDIO PANEL as shown in Figure 8.

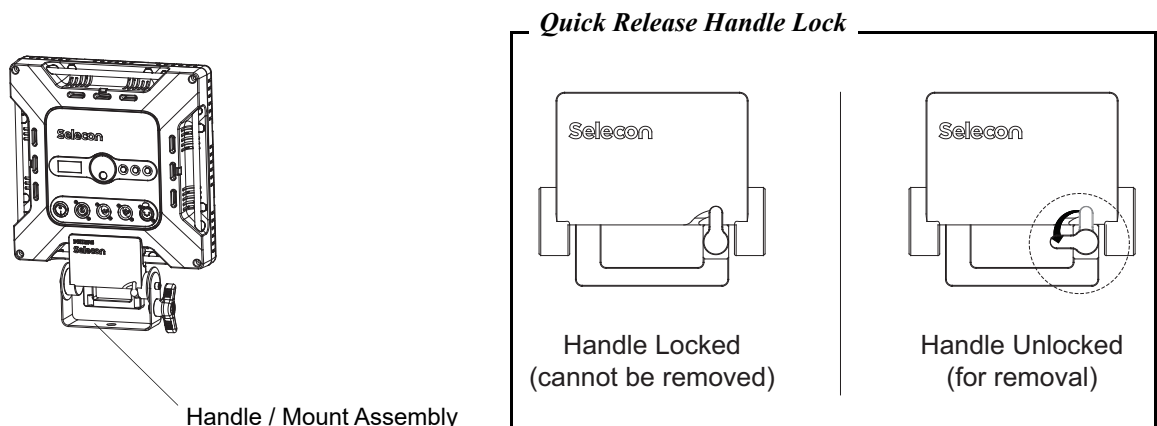
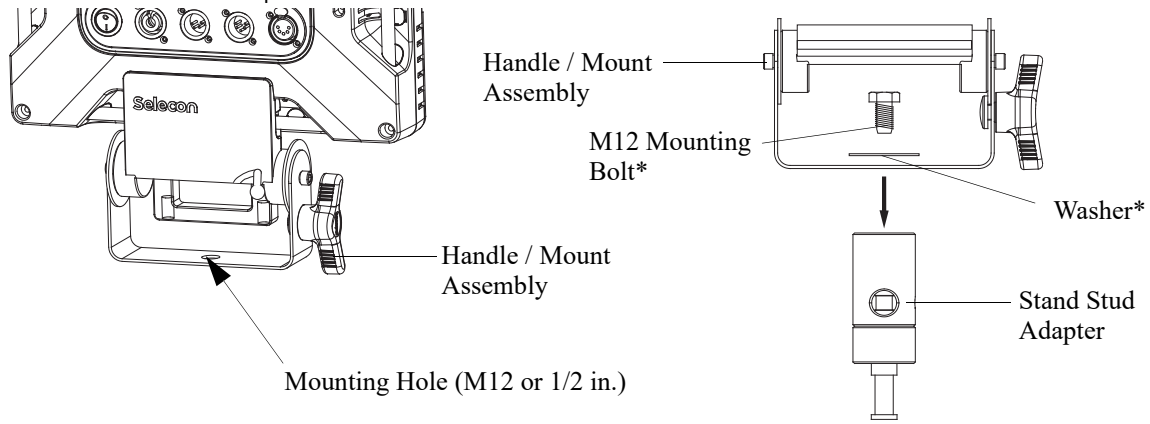


FIGURE 9: HANDLE / MOUNT ASSEMBLY - LOCKING MECHANISM

STUD ADAPTER INSTALLATION

Installing an optional Stand Stud Adapter is quick and easy. Simply rotate the Handle / Mount Assembly to access the mounting hole in Handle / Mount Assembly. As shown in [Figure 10](#), insert retaining bolt into hole and thread into Stud Adapter.



*Note: *M12 Bolt and washer supplied with stand stud adapter.*

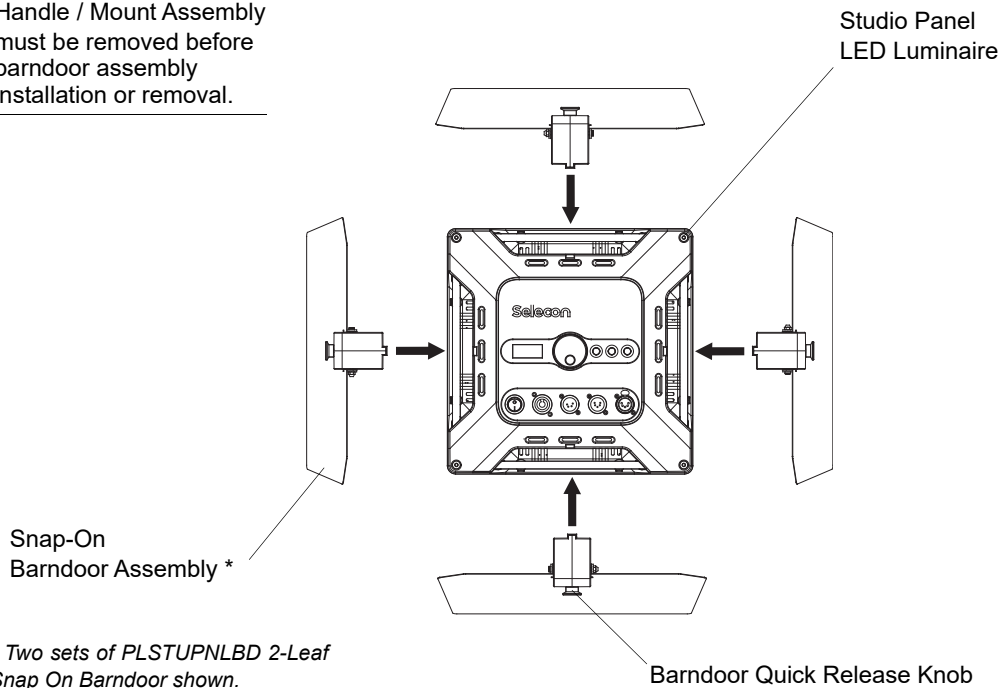
FIGURE 10: STAND STUD ADAPTER

5. BARNDOOR INSTALLATION

The STUDIO PANEL can accept up to four snap-on barndoor leaves (sold separately in sets of two). The barndoor assembly is easily installed or removed as desired as shown in [Figure 11](#).

- To install a barndoor assembly, remove Handle / Mount Assembly, pull back on quick release knob, and snap barndoor leaf onto side of STUDIO PANEL. Reinstall Handle / Mount Assembly.
- To remove a barndoor leaf, pull back on quick release knob and pull leaf away from STUDIO PANEL.

NOTE:
Handle / Mount Assembly must be removed before barndoor assembly installation or removal.



* Two sets of PLSTUPNLBD 2-Leaf Snap On Barndoor shown.

FIGURE 11: SNAP-ON BARNDOOR ASSEMBLY

OPERATION AND PROGRAMMING

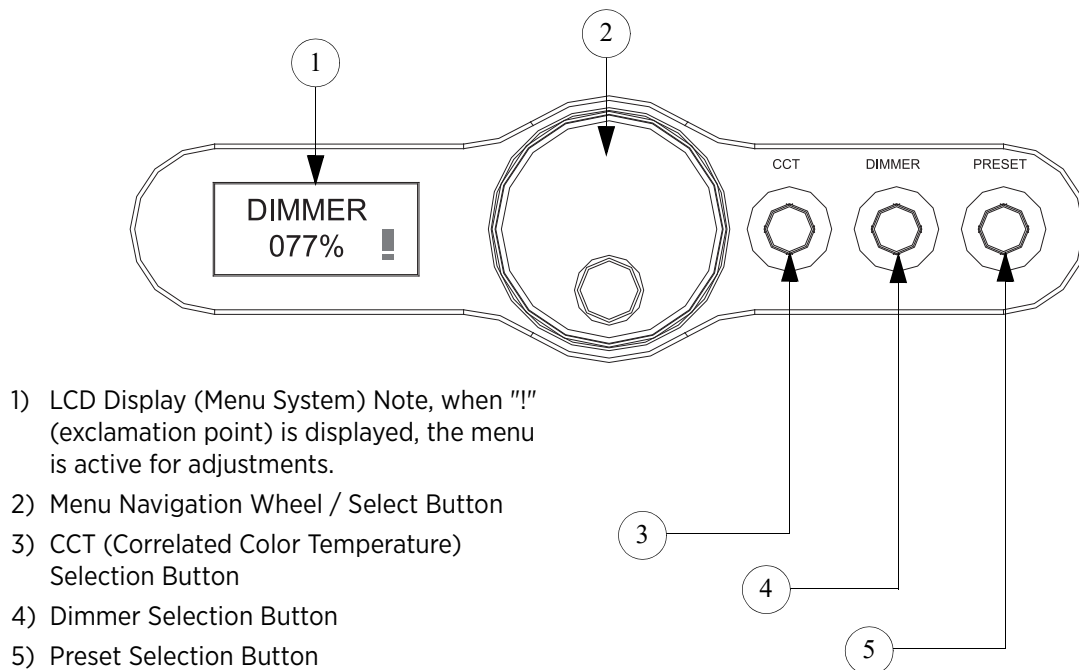
1. LCD DISPLAY AND MENU SYSTEM

The STUDIO PANEL's LCD Display and Menu System provides local control for accessing the following fixture's settings:

- CCT (Correlated Color Temperature)
- Dimmer / Intensity
- Setting the DMX512 Address

NOTE: If there are multiple luminaires in a system, changes would need to be made at each LCD Menu as desired.

Upon power up, the LCD will display the main screen showing the product type/name. If DMX is enabled, the programmed address will appear after power up.



- 1) LCD Display (Menu System) Note, when "!" (exclamation point) is displayed, the menu is active for adjustments.
- 2) Menu Navigation Wheel / Select Button
- 3) CCT (Correlated Color Temperature) Selection Button
- 4) Dimmer Selection Button
- 5) Preset Selection Button

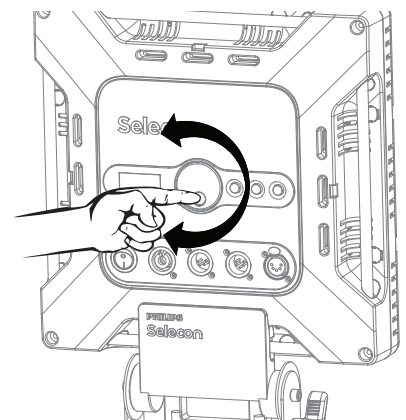
FIGURE 12: LCD DISPLAY AND MENU SYSTEM

2. LCD DISPLAY AND MENU SYSTEM OPERATION

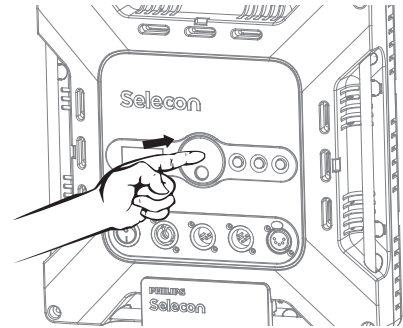
The LCD Display Menu system consists of several categories. Use the Menu Navigation Wheel / Select Button to access and make changes to the menu items. When the desired menu item is reached, press the Menu Navigation Wheel / Select Button to display the menu options. Rotate the Menu Navigation Wheel / Select Button to navigate and configure the menu options as required.

To navigate and access menu settings/selections:

- Step 1. Make sure unit is powered and turned on.
- Step 2. Rotate Navigation Wheel / Select Button (in either direction) to access menu categories.



- Step 3. Press Navigation Wheel / Select Button at desired menu item to access and make changes.
- Step 4. Make changes as desired.

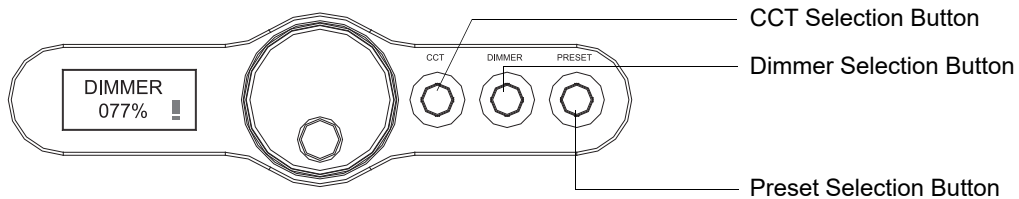


CATEGORY	OPTIONS	NEXT LEVEL	MEANING
Mode	Manual <i>(Manual mode, local control only (no DMX))</i>	Dimmer	Rotate wheel to set dimmer level from 0 to 100% (in 1% increments)
		CCT	Rotate wheel to set CCT level from 3000K to 6000K (in 1K increments)
	DMX-8B <i>(Unit is set to operate in DMX512 8-Bit mode)</i>	Address	Sets the units DMX512 address (from 001 to 512)
		LastHold	Sets the units operation should DMX512 signal be disconnected or lost - YES (maintain last DMX512 state) or NO (do not maintain last DMX512 state)
		State	Information only - displays if DMX512 is present (connected) or not
	DMX-16B <i>(Unit is set to operate in DMX512 16-Bit mode)</i>	Address	Sets the units DMX512 address (from 001 to 512)
		LastHold	Sets the units operation should DMX512 signal be disconnected or lost - YES (maintain last DMX512 state) or NO (do not maintain last DMX512 state)
		State	Information only - displays if DMX512 is present (connected) or not

3. QUICK SELECTION BUTTONS

NOTE: When pressing one of the Quick Selection buttons (CCT, Dimmer, or Preset), the luminaire will automatically go into Manual Mode.

When in Manual Mode, the STUDIO PANEL's features can be accessed via the on-board LCD menu system or via three quick select buttons:



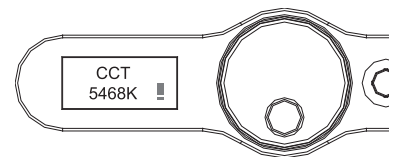
- CCT (Correlated Color Temperature) Selection Button
- Dimmer Selection Button
- Preset Selection Button

CCT (CORRELATED COLOR TEMPERATURE) SELECTION BUTTON

In Manual Mode, you can press the CCT selection button to adjust the unit's CCT setting in increments of 1.

To adjust the CCT setting in Manual Mode:

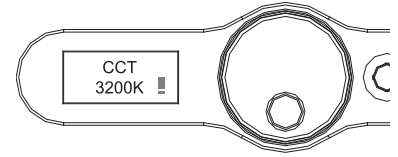
- Step 1. Press CCT selection button until current CCT value and flashing "!" (exclamation point) is displayed.



- Step 2. Rotate the Navigation Wheel / Selection Button to desired value/setting.
 Step 3. Press Navigation Wheel / Selection Button.
 Step 4. Unit is set to desired CCT value/setting.

PRESET SELECTION BUTTON

In Manual Mode, you can press the Preset button to access the nine (9) preprogrammed white presets in the STUDIO PANEL's memory. With each press of the CCT Selection Button, the fixture will recall the tuned white presets as shown in Table 5. You can adjust each preset by rotating the Navigation Wheel / Selection Button.



To select one of ten Presets in Manual Mode:

- Step 1. Press Preset selection button until current CCT value and flashing "!" (exclamation point) is displayed.
 Step 2. Continue to press Preset button until desired CCT value is displayed.

TABLE 5: PRESET SELECTION BUTTON PRESETS

PRESET	CCT
1	3000K
2	3200K
3	3500K
4	4000K
5	4200K

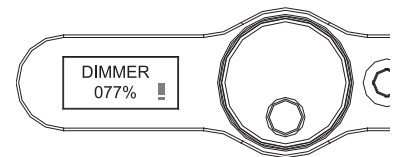
PRESET	CCT
6	4500K
7	5000K
8	5600K
9	6000K

NOTE: In this mode, you can adjust the preset value by rotating the Navigation Wheel / Selection Button to desired value/setting. This adjustment is similar to the procedure described in "[CCT \(Correlated Color Temperature\) Selection Button](#)" on page 14.

- Step 3. Press Navigation Wheel / Selection Button to set desired value/setting.
 Step 4. Unit is set to desired Preset value/setting.

DIMMER SELECTION BUTTON

In Manual Mode, you can press the Dimmer selection button to adjust the unit's intensity level in increments of 1%.



To adjust the Dimmer (intensity) level in Manual Mode:

- Step 1. Press Dimmer selection button until current intensity level and flashing "!" (exclamation point) is displayed.
 Step 2. Rotate the Navigation Wheel / Selection Button to desired value/setting.
 Step 3. Press Navigation Wheel / Selection Button.
 Step 4. Unit is set to desired intensity level/setting.

DMX CONTROL

This section contains information for operating the luminaire using DMX control in 16-bit or 8-Bit modes. For Menu options and detailed information, see ["LCD Display and Menu System" on page 13](#).

NOTE: These tables assume a DMX start address of 1. When a different starting address is used, this address becomes channel 1 function and other functions follow in sequence.

NOTE: When pressing one of the Quick Selection buttons (CCT, Dimmer, or Preset as described in ["Quick Selection Buttons" on page 14](#)), the luminaire will automatically go into Manual Mode.

1. 16-BIT MODE

Table 6 provides DMX channel mapping of all DMX512 control values when the STUDIO PANEL is in 16-bit DMX512 mode (as set by the luminaire’s menu system).

TABLE 6: 16-BIT DMX512 MODE

DMX CHANNEL	PARAMETER	RANGE DMX	RANGE%	DEFAULT - RECOMMENDED CONSOLE DEFAULT VALUES	DESCRIPTION
1	Intensity - High	0 - 65535	0 - 100%	0	16-bit control for Intensity of LED settings.
2	Intensity - Low				
3	CCT - High Byte	0 - 65535	0 - 100%	0	16 bit control of CCT from 3000K to 6000K.
4	CCT - Low Byte				

2. 8-BIT MODE

Table 8 provides DMX channel mapping of all DMX512 control values when the STUDIO PANEL is in 8-bit DMX512 mode (as set by the luminaire’s menu system).

TABLE 7: 8-BIT DMX512 MODE

DMX CHANNEL	PARAMETER	RANGE DMX	RANGE%	DEFAULT - RECOMMENDED CONSOLE DEFAULT VALUES	DESCRIPTION
1	Intensity	0 - 255	0 - 100%	0	8-bit control for Intensity of LED settings.
2	CCT	0 - 255	0 - 100%	0	8 bit control of CCT from 3000K to 6000K.

RDM CONTROL

1. STUDIO PANEL RDM PARAMETER IDS

The following tables outline and describe all the RDM parameters IDs associated with STUDIO PANELS.

- Table 8, “RDM Product Parameter IDs,” on page 17
- Table 9, “RDM UID,” on page 17
- Table 10, “RDM Parameter Ids,” on page 17
- Table 11, “Manufacturer Status IDs,” on page 19
- Table 12, “RDM Manufacturer Specific PIDs,” on page 19

TABLE 8: RDM PRODUCT PARAMETER IDS

MODEL ID	MANUFACTURER	MODEL DESCRIPTION	PRODUCT CATEGORY
0x0101	Strand	Studio Panel LED Light	0x0509

TABLE 9: RDM UID

UID					
MSB of ESTA 50H	LSB of ESTA 53H	MSB of 01H	LSB of 01H	MSB of Unique Seq.	LSB of Unique Seq.

TABLE 10: RDM PARAMETER IDS

GET ALLOWED	SET ALLOWED	RDM PARAMETER IDS	VALUE	COMMENT	IMPLEMENTED
Category - Network Management					
		DISC_UNIQUE_BRANCH	0x0001		■
		DISC_MUTE	0x0002		■
		DISC_UN_MUTE	0x0003		■
■		PROXIED_DEVICES	0x0010		
■		PROXIED_DEVICES_COUNT	0x0011		
■	■	COMMS_STATUS	0x0015		
Category - Status Collection					
■		QUEUED_MESSAGE	0x0020		■
■		STATUS_MESSAGES	0x0030		■
■		STATUS_ID_DESCRIPTION	0x0031		■
	■	CLEAR_STATUS_ID	0x0032		■
■	■	SUB_DEVICE_STATUS_REPORT_THRESHOLD	0x0033		
Category - RDM Information					
■		SUPPORTED_PARAMETERS	0x0050	<i>Support required only if supporting Parameters beyond the minimum required set.</i>	■
■		PARAMETER_DESCRIPTION	0x0051	<i>Support required for Manufacturer-Specific PIDs exposed in SUPPORTED_PARAMETERS message.</i>	■

TABLE 10: RDM PARAMETER IDS

GET ALLOWED	SET ALLOWED	RDM PARAMETER IDS	VALUE	COMMENT	IMPLEMENTED
Category - Product Information					
■		DEVICE_INFO	0x0060		■
■		PRODUCT_DETAIL_ID_LIST	0x0070		
■		DEVICE_MODEL_DESCRIPTION	0x0080		■
■		MANUFACTURER_LABEL	0x0081		■
■	■	DEVICE_LABEL	0x0082		■
■	■	FACTORY_DEFAULTS	0x0090		
■		LANGUAGE_CAPABILITIES	0x00A0		
■	■	LANGUAGE	0x00B0		
■		SOFTWARE_VERSION_LABEL	0x00C0		■
■		BOOT_SOFTWARE_VERSION_ID	0x00C1		
■		BOOT_SOFTWARE_VERSION_LABEL	0x00C2		
Category - DMX512 Setup					
■	■	DMX_PERSONALITY	0x00E0		■
■		DMX_PERSONALITY_DESCRIPTION	0x00E1		■
■	■	DMX_START_ADDRESS	0x00F0	<i>Required if device uses a DMX Slot</i>	■
■		SLOT_INFO	0x0120		■
■		SLOT_DESCRIPTION	0x0121		■
■		DEFAULT_SLOT_VALUE	0x0122		
Category - Sensors 0x02xx					
■		SENSOR_DEFINITION	0x0200		■
■	■	SENSOR_VALUE	0x0201		■
	■	RECORD_SENSORS	0x0202		
Category - Dimmer Settings 0x03xx - FUTURE USE					
Category - Power / Lamp Settings 0x04xx					
■	■	DEVICE_HOURS	0x0400		
■	■	LAMP_HOURS	0x0401		
■	■	LAMP_STRIKES	0x0402		
■	■	LAMP_STATE	0x0403		
■	■	LAMP_ON_MODE	0x0404		
■	■	DEVICE_POWER_CYCLES	0x0405		
Category - Display Settings 0x05xx					
■	■	DISPLAY_INVERT	0x0500		■
■	■	DISPLAY_LEVEL	0x0501		
Category - Configuration 0x06xx					
■	■	PAN_INVERT	0x0600		
■	■	TILT_INVERT	0x0601		
■	■	PAN_TILT_SWAP	0x0602		
■	■	REAL_TIME_CLOCK	0x0603		

GET ALLOWED	SET ALLOWED	RDM PARAMETER IDS	VALUE	COMMENT	IMPLEMENTED
<i>Category - Control 0x10xx</i>					
■	■	IDENTIFY_DEVICE	0x1000		■
	■	RESET_DEVICE	0x1001		
■	■	POWER_STATE	0x1010		
■	■	PERFORM_SELFTEST	0x1020		
■		SELF_TEST_DESCRIPTION	0x1021		
	■	CAPTURE_PRESET	0x1030		
■	■	PRESET_PLAYBACK	0x1031		

TABLE 11: MANUFACTURER STATUS IDS

STATUS ID MESSAGE	VALUE	DATA VALUE 1	DATA VALUE 2	STATUS ID DESCRIPTION
8100H		00H	00H	ALL OK
NOTE: Manufacturer Specific messages are in the range of 0x8000 - 0xFFDF. Each Manufacturer-specific Status ID shall have a unique meaning, which shall be consistent across all products having a given Manufacturer ID. See Table B-2, ANSI E1.20-2010.				

TABLE 12: RDM MANUFACTURER SPECIFIC PIDS

GET ALLOWED	SET ALLOWED	RDM PARAMETER IDS	TYPE	LENGTH	UNIT	PREFIX	MIN	MAX	DEFAULT	DESCRIPTION
<i>Category - Manufacturer Defined PIDs - Range is 0x8000-0xffdf (See ANSI E1.20-2010 Standard, Table A-3)</i>										
■	■	8A01H	U8	1	None	None	0	100	100	DIMMER
■	■	8A03H	U8	1	None	None	0	100	100	CCT
■	■	8A0CH	U8	1	None	None	0	3	0	DMX Fail Mode

CLEANING AND CARE



WARNING! All cleaning should be performed with power completely removed from the luminaire. Never remove protective covers when luminaire is powered. Wear appropriate protective eye wear and gloves when cleaning the fixture. All service and maintenance, other than described herein, should be performed by a qualified technician or Authorized Service Center.

1. SPECIAL CLEANING AND CARE INSTRUCTIONS

Being a solid-state fixture, and unlike most fixtures, the STUDIO PANEL requires very little routine maintenance by the user. This section covers portions of the luminaire that can be removed for cleaning.

The STUDIO PANEL special care when it comes to cleaning front lens assembly. Additional care needs to be taken with the plastic components because they are much easier to scratch or damage than glass.

The following is a list of cleaning materials required to care for your STUDIO PANEL:

- Lint free lens tissue
- Lint or powder free gloves
- Reagent grade isopropyl alcohol*
- A mild soap solution.

NOTE: *Reagent grade isopropyl alcohol is good to use on the STUDIO PANEL plastic optics with anti-reflection coatings.

If the lens is still dirty after using isopropyl alcohol, for instance if fingerprints or oil is just redistributed and not cleaned off the optic, then a mild soap and water solution can be used to gently wash the lens. Repeat the cleaning with isopropyl alcohol to eliminate streaks and soap residue.



WARNING! Under no circumstances should ammonia-based cleaners, acetone, or other harsh solvents be used on or near the STUDIO PANEL. These types of cleaners or solvents can permanently damage the optics or housings of the fixture.

If you have any questions regarding the use or care of your STUDIO PANEL, please contact Strand technical support or your local Authorized Dealer.

2. FRONT LENS CLEANING

To clean the front lens:

- Step 1. Turn off luminaire and allow to cool completely.
- Step 2. Apply a small amount of reagent grade isopropyl alcohol to lint-free lens tissue.
- Step 3. Wipe all debris, dirt, fingerprints, etc. from lens.
- Step 4. Using a second lint-free lens tissue, wipe off any alcohol residue.

3. SERVICE AND MAINTENANCE

For all other service and maintenance issues, please contact your local Strand office or an Authorized Service Center.



WARNING! Disassembly (other than as described herein), alterations, unauthorized service, etc. will void the product warranty. Contact your local Strand office or an Authorized Service Center for technical support and service.

4. ACCESSORIES

Only Strand approved accessories should be used with your STUDIO PANEL. For a list of available accessories from Strand, please see ["Accessories" on page 4](#). For questions regarding accessories, please contact your local Authorized Strand Dealer or Strand office.

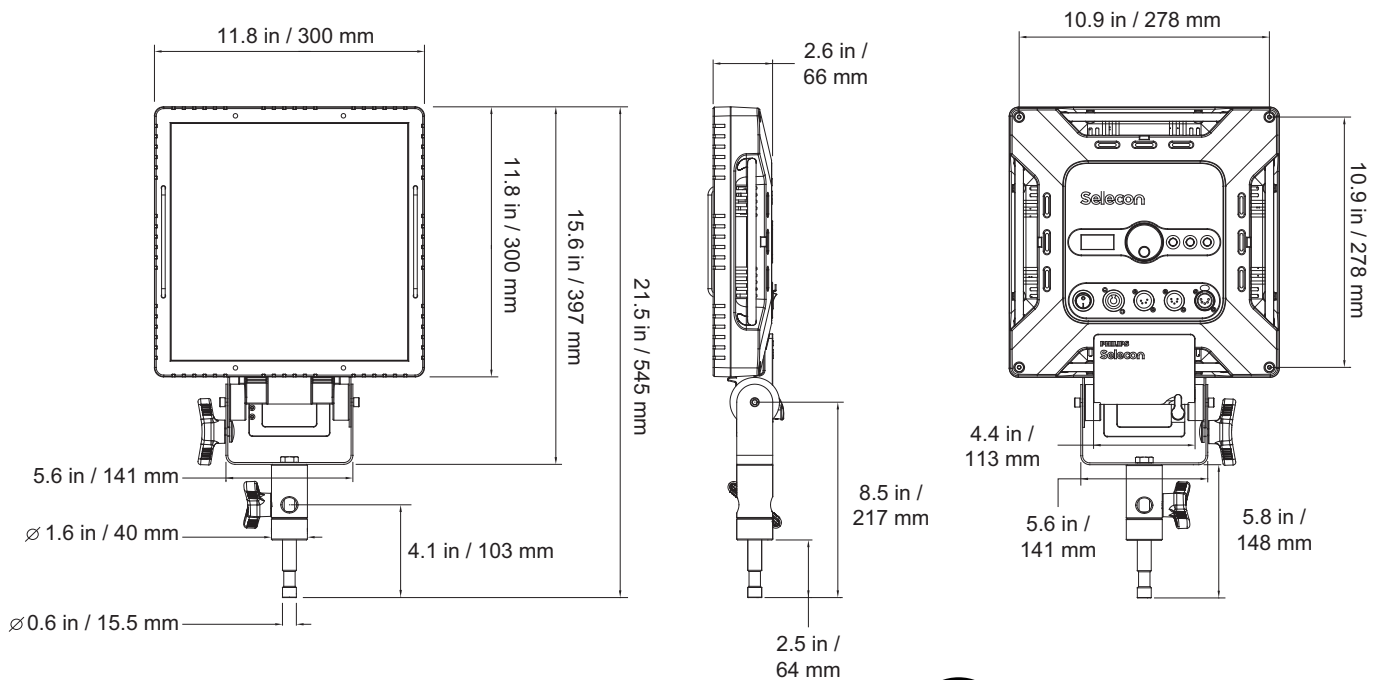
TECHNICAL SPECIFICATIONS

1. STUDIO PANEL OPERATIONAL SPECIFICATIONS

Source:	Tunable White LED Array
Light Output:	> 2,000 lumens
Color Temperature:	3000 - 6000K (user adjustable)
Input Voltage (AC):	100V to 240V (+/- 10%, auto-ranging)
Current (AC):	0.80 Amps (max.) at 115V / 0.40 Amps (max.) at 230V
Input Voltage (DC):	12V to 24V (50 Watts max.)
Frequency:	50/60Hz
Control Protocols:	DMX512 (1990) / DMX512A (RDM) / On-Board Menu
Ambient Temperature:	0 to 40 degrees C (32 to 104 degrees F)
Humidity:	5%-95% Non condensing
Cooling:	Natural Convection
Weight:	5.1 lbs (2.3 kg) - Luminaire only (no mount, AC input cable or accessories)
Compliance:	cETLus listed and CE Marked. IP20 Rated. This product is a Class II Luminaire and has an earth connection for functional purpose only and that it is separated from live parts by double insulation. This luminaire complies with IEC 60598-2-17-1984+A2.1990 used in conjunction with IEC 60598-1-2008

NOTE: Common model specifications shown. For specific model specifications, features, and accessories, refer to the product specification sheet or visit the Strand web site at www.strandlighting.com for more details.

2. STUDIO PANEL DIMENSIONS



Note: Shown with supplied stud adapter installed. This adapter is removable.



AMERICAS

10911 Petal Street
Dallas, TX 75235
Tel: +1 214-647-7880
Fax: +1 214-647-8039

ASIA

Unit C, 14/F, Roxy Industry Centre
41-49 Kwai Cheong Road
Kwai Chung, Kwai Tsing
Hong Kong
Tel: +852 2796 9786
Fax: +852 2798 6546

Room 1201, Freetown Tower D
E 3rd Ring Rd S, 58
Chaoyang Qu
Beijing Shi, China
Tel: +8610-58674776
Fax: +8610-58674775

B-1-27, Dataran Cascades, No. 13A
Jalan PJU 5/1
Kota Damansara PJU 5
47810 Petaling Jaya
Selangor, Malaysia
Tel: +60 3-7611 7302
Fax: +60 3-7629 4192

EUROPE

Rondweg Zuid 85
Winterswijk 7102 JD
Netherlands
Tel: +31 543-542516
Fax: +31 543-542513

24 Sovereign Park
Coronation Road
Park Royal, London
NW10 7QP
United Kingdom
Tel: +44 020 8965 3209

OCEANIA

14H Vega Place
Rosedale
Auckland 0632
New Zealand
Tel: +64 9-481-0100



© 2019 Signify Holding. All rights reserved.

All trademarks are owned by Signify Holding or their respective owners. The information provided herein is subject to change, without notice. Signify does not give any representation or warranty as to the accuracy or completeness of the information included herein and shall not be liable for any action in reliance thereon. The information presented in this document is not intended as any commercial offer and does not form part of any quotation or contract, unless otherwise agreed by Signify. Data subject to change.

STUDIO PANEL LED Installation & User Manual

Document no.: 85-6375D
Version date: May 30 2019

MANUAL ADDENDUM - PLEASE READ

1. Overview

This MANUAL ADDENDUM provides information in addition to the Installation and User’s Manual supplied with the unit. Please review this document - as well as the supplied manual - carefully before using the Studio Panel LED Luminaire.

Some notes about this document:

- Your Studio Panel LED Luminaire has been updated with the latest firmware (version 1.2 or later).
- Please refer to the new menu categories and options table and custom recording options below.
- Table 1 in this addendum supersedes Table 5 on page 13 of the installation and user's manual.

2. Updated Menu Categories and Options



Note: All options in grey shading are added in software version 1.2 (or later). All other options remain unchanged.

Table 1: Menu Categories and Options (Software Version 1.2 and later)

Category	Options	Next Level			Meaning
Mode	Manual <i>(Manual mode, local control only (no DMX))</i>	Setting	Factory	Dimmer	Rotate wheel to set dimmer level from 0 to 100% (in 1% increments)
				CCT	Rotate wheel to set CCT level from 3000K to 6000K (in 1K increments)
			Custom	Preset (01 - 09)	Allows users to set and adjust Presets, Dimmer, and WW / CW (CCT) to their specific requirements.
				Dimmer (0 - 100%) WW (Warm White) 0-100% CW (Cool White) 0-100%	
	DMX-8B <i>(Unit is set to operate in DMX512 8-Bit mode)</i>	Address			Sets the units DMX512 address (from 001 to 512)
		LastHold			Sets the units operation should DMX512 signal be disconnected or lost - YES (maintain last DMX512 state) or NO (do not maintain last DMX512 state)
		State			Information only - displays if DMX512 is present (connected) or not
	DMX-16B <i>(Unit is set to operate in DMX512 16-Bit mode)</i>	Address			Sets the units DMX512 address (from 001 to 512)
		LastHold			Sets the units operation should DMX512 signal be disconnected or lost - YES (maintain last DMX512 state) or NO (do not maintain last DMX512 state)
		State			Information only - displays if DMX512 is present (connected) or not

3. Recording and Saving a Custom Preset

Table 2: New Menu Categories and Options

Category	Options	Next Level			Meaning
Mode	Manual	Setting	Custom	Preset (01 - 09)	Allows users to set and adjust Presets, Dimmer, and WW / CW (CCT) to their specific requirements.
				Dimmer (0 - 100%)	
				WW (Warm White) 0-100% CW (Cool White) 0-100%	

To record / edit a custom preset:



CAUTION: Do not power down the unit before waiting at least five seconds has passed after completing the steps below to record and save a custom preset. Powering the unit down before waiting five seconds will erase the custom preset.

Step 1. In Manual Mode:

- a. If **Setting Custom** is displayed, proceed to Step 2.
- b. If **Setting Factory** is displayed, you must:
 - 1) Press navigation wheel once.
 - 2) Rotate navigation wheel until **Setting Custom** is displayed.
 - 3) Press navigation wheel once. Proceed to Step 2.

Step 2. Rotate navigation wheel to desired preset number (1, 2, 3, 4...9)

Step 3. Press navigation wheel once.

Step 4. Rotate navigation wheel to **Dimmer**.

Step 5. Press navigation wheel once.

Step 6. Rotate navigation wheel to desired intensity (0-100%)

Step 7. Press navigation wheel once.

Step 8. Rotate navigation wheel to **WW CW**.

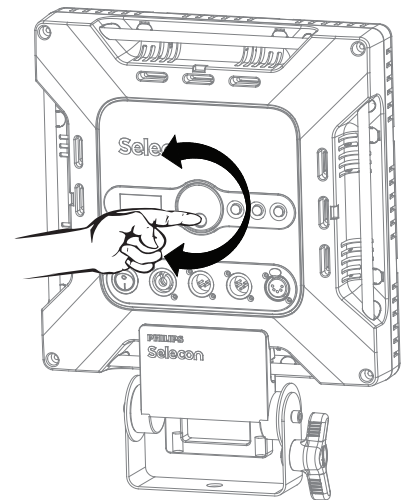
Step 9. Press navigation wheel once.

Step 10. Rotate navigation wheel clockwise or counter-clockwise to desired color temperature (0-100% 0-100%).

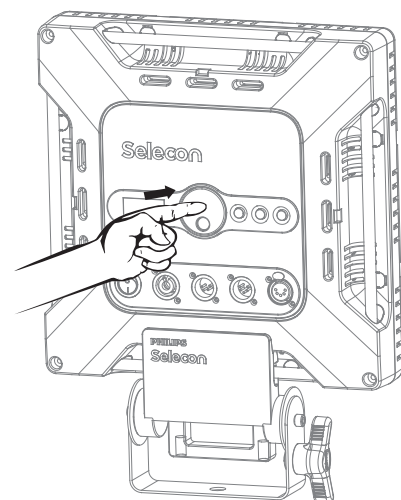
Step 11. Press navigation wheel once.

Step 12. Once complete, preset and its associated settings will be automatically saved after five seconds.

For assistance regarding the use of this product or this new feature, please contact customer service at +1.214.647.7880 or you local Authorized Selecon Dealer.



Rotate Navigation Wheel, in either direction, to scroll through menu options.



Press Navigation Wheel once to select a menu option.