

ETC Install Guide

Source Four® LED CYC

Overview

The ETC Source Four LED CYC adapter is an attachment that installs on the front end of any Source Four LED light engine. This document describes how to install this attachment.



WARNING: The Source Four LED CYC is not compatible with Source Four incandescent fixtures. Use with incandescent fixtures will result in equipment failure.

Installation Instructions

Tools required

- #1 Phillips Screwdriver

Disassembling the Source Four LED Shutter Barrel



WARNING: Disconnect power to the fixture before disassembling. Removing the shutter barrel exposes components that may cause an electric shock when energized.

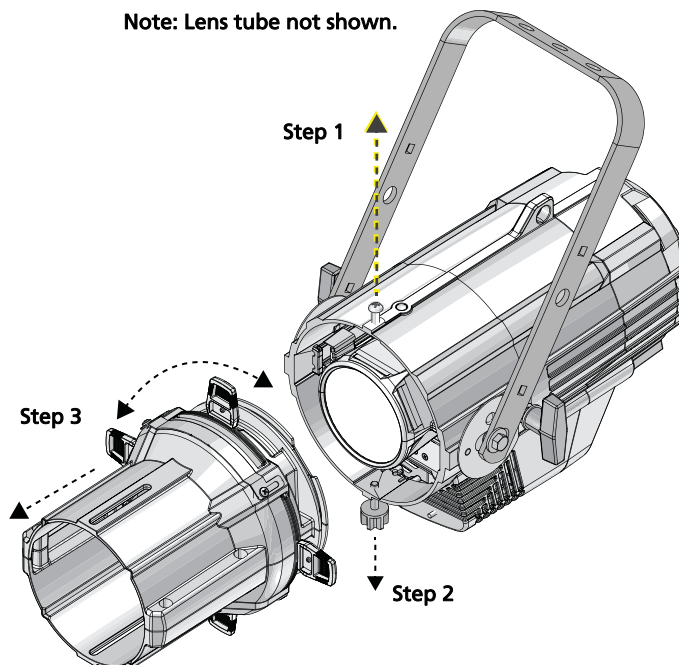
Remove the lens tube from the Source Four LED fixture before removing the shutter barrel.



Note: Both the small screw and barrel screw will hold the CYC adapter in place with a tension mounting and do not need to be fully removed when disassembling the fixture.

- 1: Loosen the small screw.
- 2: Loosen the barrel screw.
- 3: Rotate the barrel counterclockwise.
The barrel should slide easily off of the light engine.

Note: Lens tube not shown.



Corporate Headquarters ■ Middleton, WI, USA ■ Tel +608 831 4116 ■ Service: (Americas) service@etcconnect.com

London, UK ■ Tel +44 (0)20 8896 1000 ■ Service: (UK) service@etc europe.com

Rome, IT ■ Tel +39 (06) 32 111 683 ■ Service: (UK) service@etc europe.com

Holzkirchen, DE ■ Tel +49 (80 24) 47 00-0 ■ Service: (DE) techserv-hoki@etcconnect.com

Hong Kong ■ Tel +852 2799 1220 ■ Service: (Asia) service@etcasia.com

Web: etcconnect.com ■ © 2017 Electronic Theatre Controls, Inc.

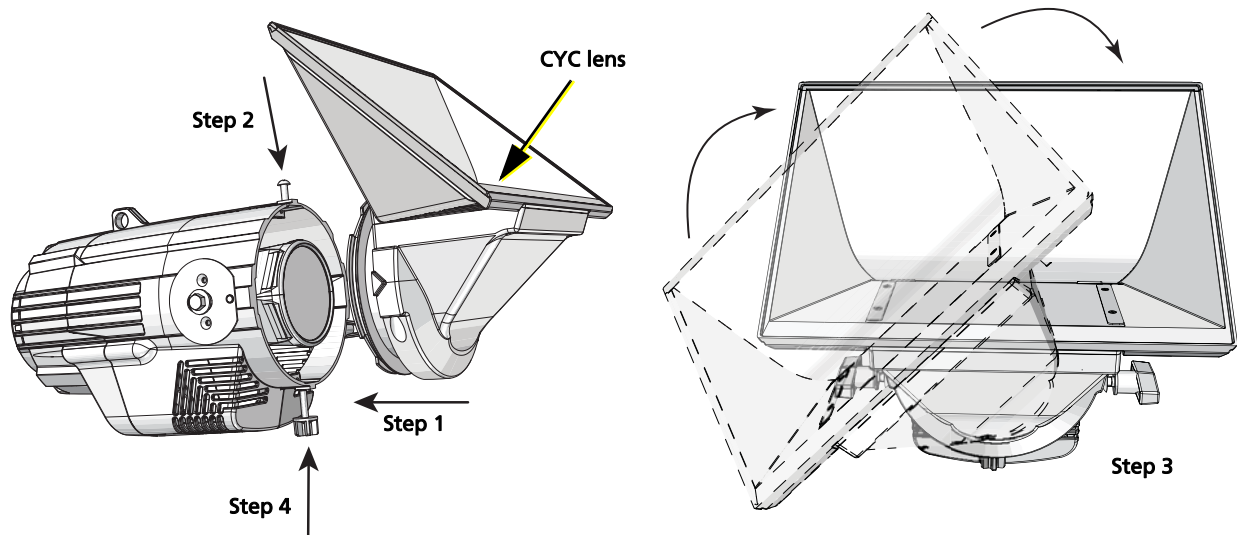
Product information and specifications subject to change. ETC intends this document to be provided in its entirety.

7460M2120 ■ Rev D ■ Released 2017-02

ETC Install Guide

Source Four LED CYC

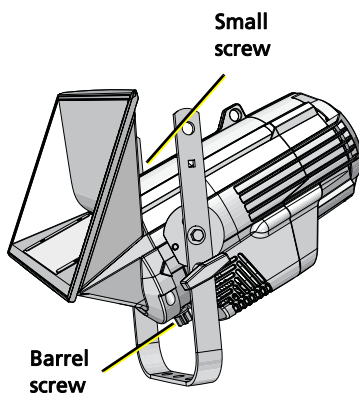
Installing the Source Four LED CYC Adapter



- 1: Align the threading on the CYC adapter with the light engine.
- 2: Retighten the small screw.
- 3: Rotate the CYC adapter, squaring it to the fixture and locking it in place.
- 4: Retighten the barrel screw.

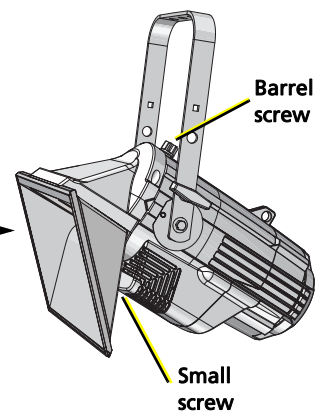


Note: *The screws provide a tension mounting of the CYC adapter and should not be over-tightened.*



The CYC adapter can be locked into either of the positions shown here.

When installing the CYC adapter in this orientation, you will need to swap the screw positions. The barrel screw is too large to be reinstalled behind the vertical portion of the CYC adapter.



Cleaning

Using a soft cotton or microfiber cloth and a 50/50 mix of water and isopropyl alcohol, gently wipe the Source Four LED CYC components clean.



CAUTION: *Do not use paper towel as it may cause scratching.*