

SPECIFICATIONS

The Source Four LED CYC™ adapter brings the infinite colour options of the x7 Color System™ to your cyclorama or backdrop. Using ETC's innovative design, you can quickly turn your Source Four LED™ Lustr+ fixture into a bright, colourful and versatile asymmetric cyclorama wash light. With its simple setup, you can easily achieve beautiful cyc-light distribution from the same Source Four LED light engine you already have.

PHYSICAL

- Rugged, die-cast, aluminium construction
- Fits all standard Source Four LED light engines
- **NOTE: Not for use with HPL Source Four fixtures**
- Compatible with ETL and CE fixtures
- Can be top- and/or bottom-mounted
- Simple, flexible setup

OPTICAL

- Bright, even wash light
- Maximum colour control with ETC's x7 Color System
- Smooth coverage up to 40' (top and bottom lit)
- Efficient 2:1 spacing ratio (maximum) from cyc
 - 1.5:1 ideal spacing ratio recommended
- Heat- and impact-resistant polycarbonate lenses

ORDERING INFORMATION

Source Four LED CYC

PART NO.	DESCRIPTION
7460A2011	Source Four LED CYC Adapter

NOTE: For a complete fixture, order the Source Four LED fixture body in addition to the CYC adapter.

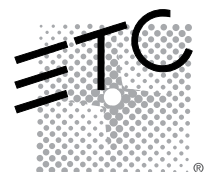
Accessories

PART NO.	DESCRIPTION
7460A2014	Source Four LED CYC Barndoor (horizontal leaves only)
PSF1118	Source Four LED CYC Floor Plate

Source Four products are protected by one or more of the following patents:

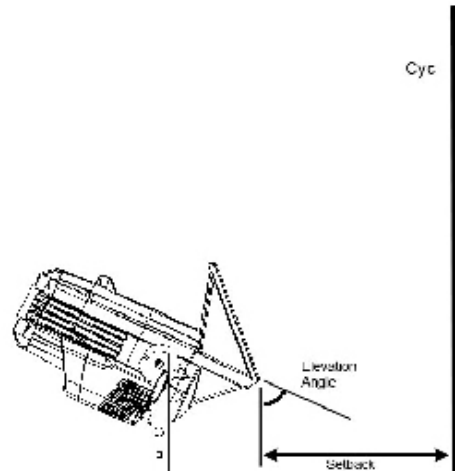
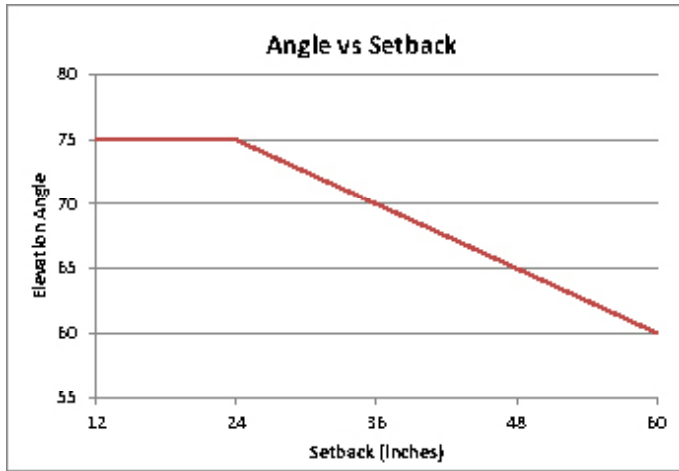
U.S.	USRE36,3316, US5,345,371, US6,092,914 and US5,775,799
U.K.	GB0592589, GB0673488, 99930527.9*
Germany	DE0592589, GB0673488, 99930527.9*
Japan	JP2,501,772

* European patent application number



PHOTOMETRICS

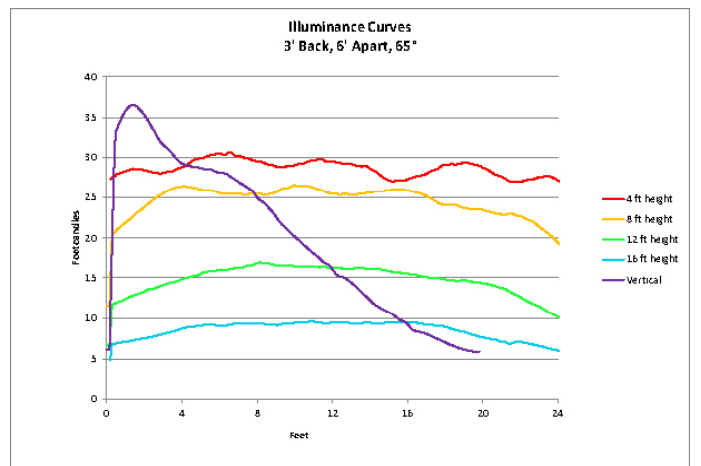
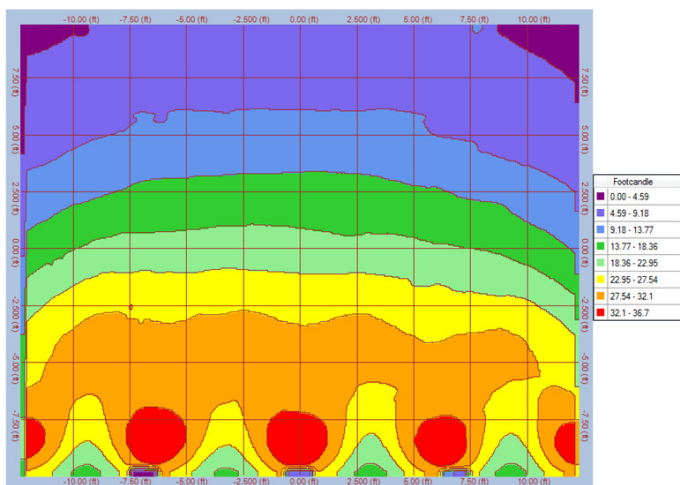
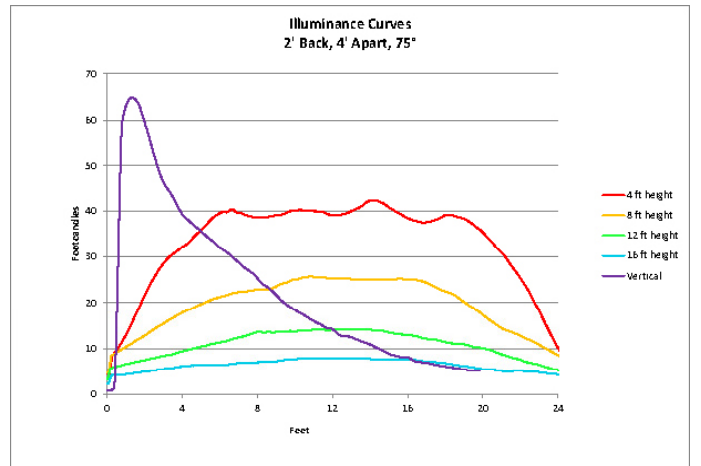
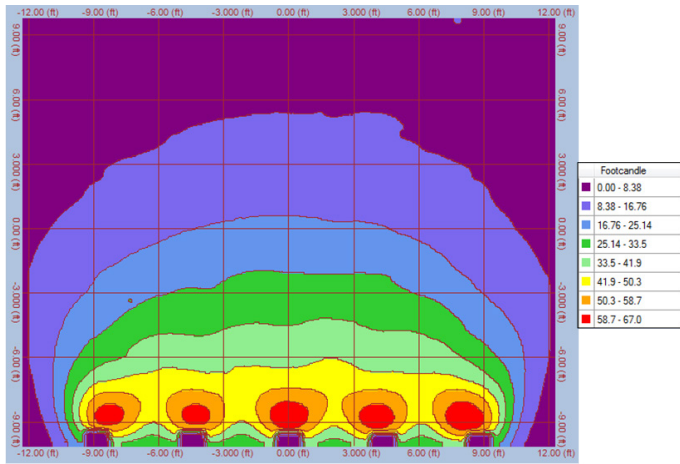
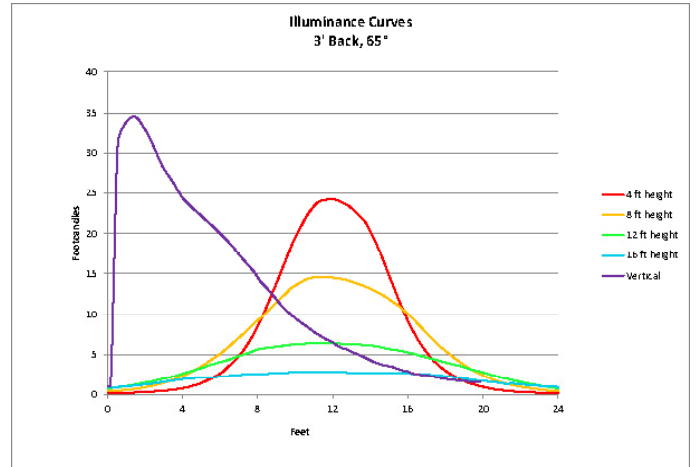
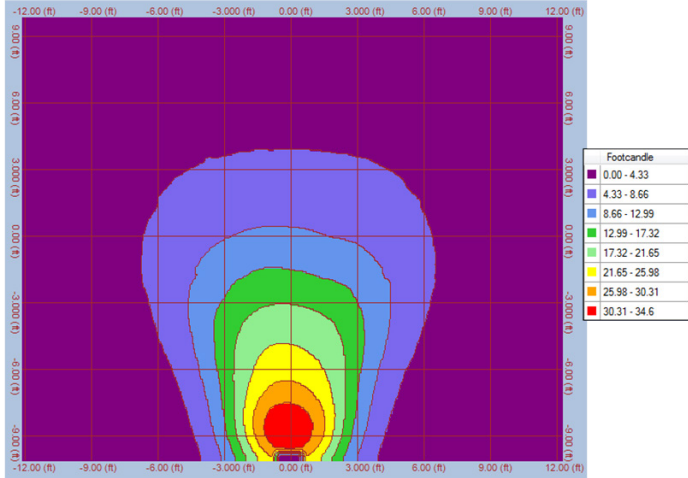
Suggested elevation angles for different setback distances with a 6m high cyclorama



Lumen output with Source Four LED Lustr+

Mode	Setback distance (m)	Total Lumens on 7.3x6.4m cyc	Elevation angle
Boost	0.9	2,659	65°
Regulated	0.9	2,405	65°

PHOTOMETRICS

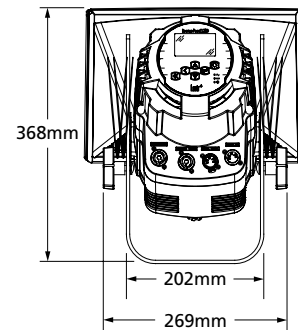
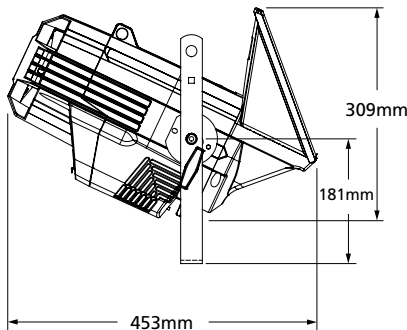
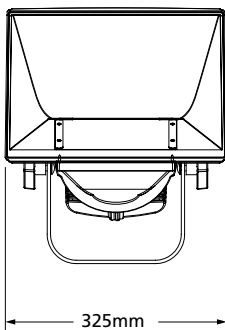
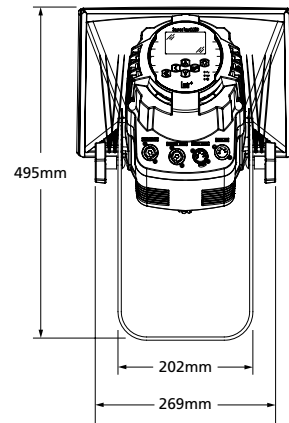
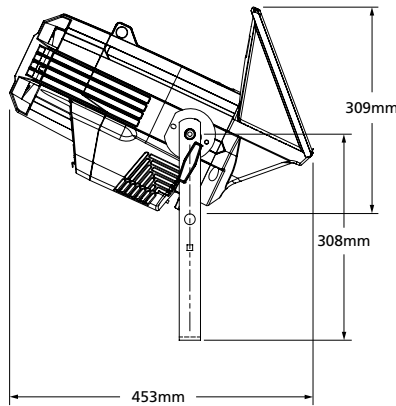
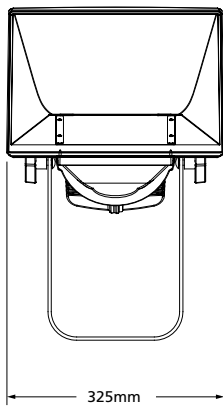
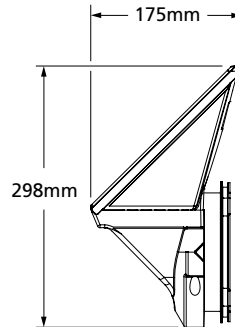
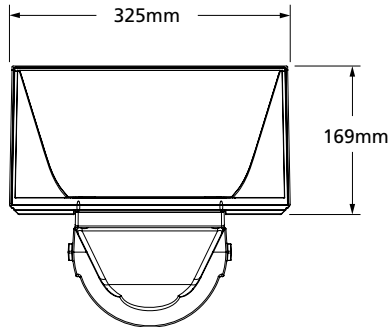


PHYSICAL

Source Four LED CYC Weights*

MODEL	WEIGHT	SHIPPING WEIGHT
	kgs	kgs
CYC	2.1	2.8

* CYC adapter only



Corporate Headquarters • 3031 Pleasant View Rd, PO Box 620979, Middleton WI 53562 0979 USA • Tel +1 608 831 4116 • Fax +1 608 836 1736
 London, UK • Unit 26-28, Victoria Industrial Estate, Victoria Road, London W3 6UU, UK • Tel +44 (0)20 8896 1000 • Fax +44 (0)20 8896 2000

Rome, IT • Via Pieve Torina, 48, 00156 Rome, Italy • Tel +39 (06) 32 111 683 • Fax +44 (0)20 8752 8486

Holzkirchen, DE • Ohmstrasse 3, 83607 Holzkirchen, Germany • Tel +49 (80 24) 47 00-0 • Fax +49 (80 24) 47 00-3 00

Hong Kong • Room 1801, 18/F, Tower 1 Phase 1, Enterprise Square, 9 Sheung Yuet Road, Kowloon Bay, Kowloon, Hong Kong • Tel +852 2799 1220 • Fax +852 2799 9325

Web • www.etcconnect.com • Copyright©2015 ETC. All Rights Reserved. All product information and specifications subject to change. 7460L1007-GB Rev. B 06/2015